

## FEATURES

- Quick connect/disconnect
- Laser welded flush diaphragm
- DIN, SMS, RJT & IDF / ISS connections

## APPLICATION

- Food & beverages industries
- Dairy & Ice cream industries
- Pharmaceuticals & cosmetics

### Flush, Union-nut

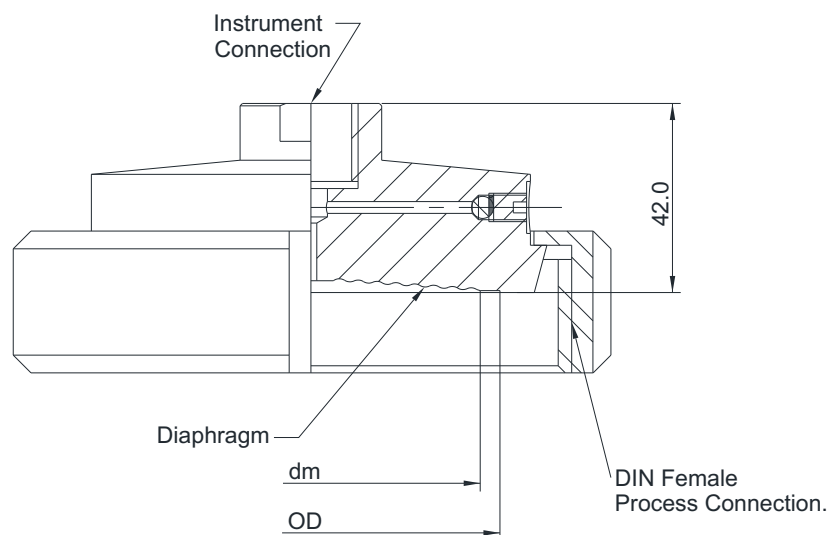


### STANDARD SPECIFICATIONS

Range type	: 1...40 bar
Chamber material	: AISI 316 SS
Diaphragm	: AISI 316L SS
Instrument connection	: 1/2" NPT (F) / 1/2" BSP (F)
Sealing fluid	: Food Grade oil [-20°C to 140°C]
Process connection	: Union-nut (DIN 11851 / SMS / RJT/APV / IDF/ISS)
Assembly	: Direct

### DIMENSIONAL DRAWING

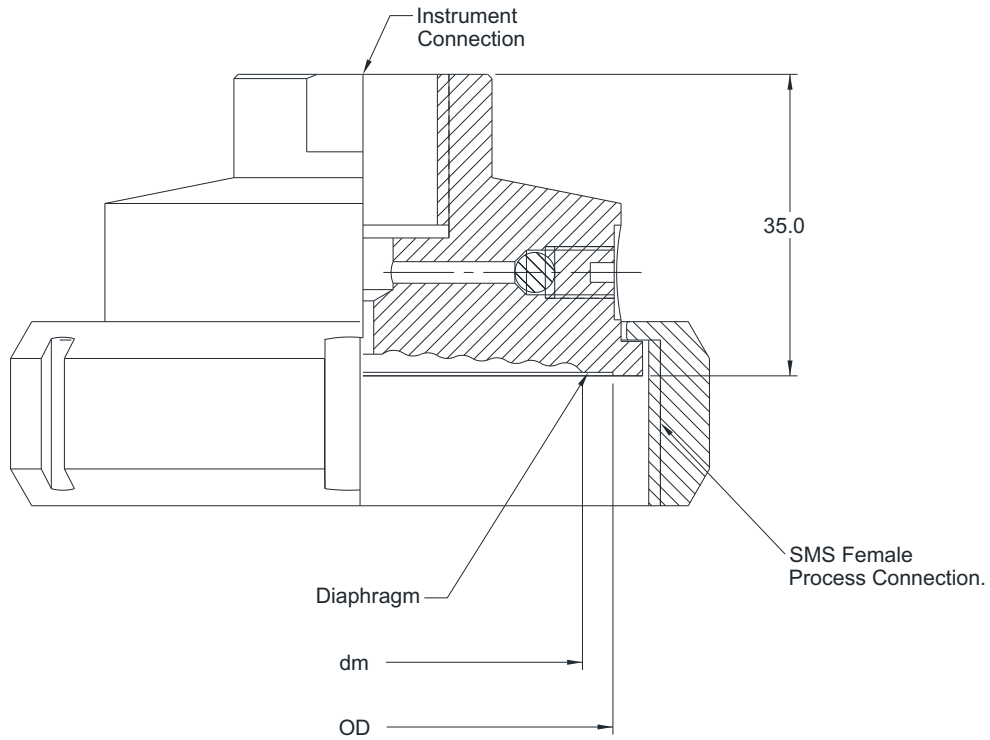
#### STANDARD : DIN 11851



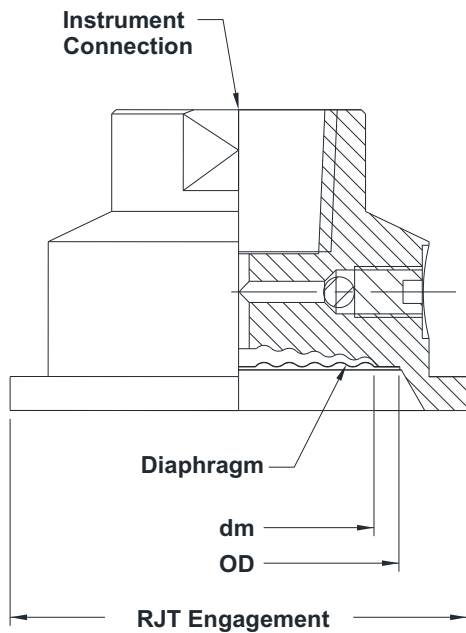
All dimensions are in mm.

DIMENSIONAL DRAWING

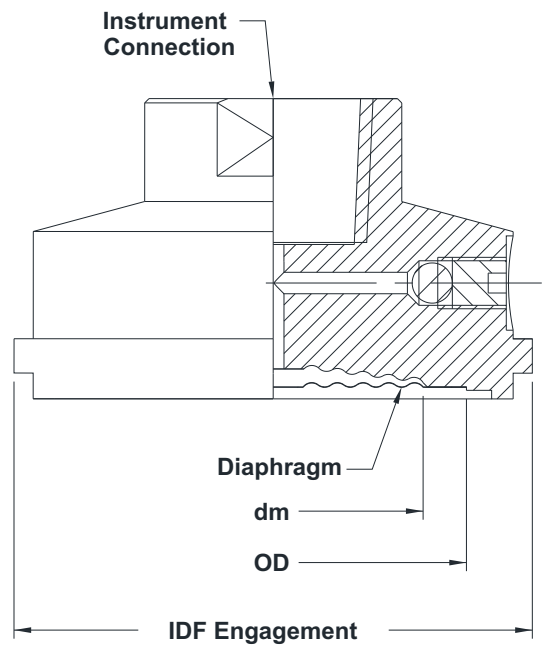
STANDARD : SMS



STANDARD : RJT / APV



STANDARD : IDF / ISS



## ORDERING CODES

### 1. RANGE TYPE

**S36** 1...40 bar  
Refer range vs connection size table

**S36**

### 2. STANDARD TYPE

**T40** DIN 11851  
**T41** SMS  
**T42** RTJ / APV  
**T43** IDF / ISS

**T40**

### 3. CHAMBER MATERIAL

**LF** AISI 316 SS  
**LG** AISI 316L SS

**LF**

### 4. DIAPHRAGM MATERIAL

**DG** AISI 316L SS

**DG**

### 5. INSTRUMENT CONNECTION

**03B** 3/8" BSP (F)  
**04N** 1/2" NPT (F)  
**02B** 1/4" BSP (F)  
**04B** 1/2" BSP (F)  
**02N** 1/4" NPT (F)

**04N**

### 6. SEALING FLUID

**OF** Food grade oil [-20°C to 140°C]

**OG**

### 7. PROCESS CONNECTION (UNION NUT)

**T01** 1" Connection (DN25)  
**T14** 1 1/4" Connection (DN32)  
**T15** 1 1/2" Connection (DN40)  
**T02** 2" Connection (Dn50)  
**T25** 2 1/2" Connection (DN63)  
**T03** 3" Connection (DN80)

**T15**

### 8. ASSEMBLY

**B8** Direct  
**B9** Remote (capillary)

**B8**

### 9. CAPILLARY

**OU** AISI 304 SS  
**OV** AISI 316 SS

**XX**

### 10. ARMOUR

**OX** AISI 304 SS  
**OY** AISI 316 SS  
**OZ** PVC (Ambient max. 60°C)

**XX**

### 11. REMOTE MOUNTING LENGTH

**XXXX** 1000 mm up to 4000 mm

**XXXX**

### 12. OTHER OPTIONS

**XZ** Dry seal  
**HL** Helium leak test  
**TM** Material test certificate 2.2  
**TC** Material test certificate 3.1

**XX**

**Ordering Example : D302-S36-T40-LF-DG-04N-OG-T15-B8**

## CONNECTION SIZE Vs RANGE CHART

DIN	Size	25	32	40	50	80
	"Diaphragm Size (OD/ED) in "mm"	35/25	38/32	48/40	59/52	80/72
	Range (bar)	0...4 to 0...40	0...2 to 0...40	0...1 to 0...40	0...1 to 0...40	-1...0 to 0...40
SMS	Size	1"	1 1/2"	2"		
	"Diaphragm Size (OD/ED) in "mm"	30/23	45/36	58/51		
	Range (bar)	0...4 to 0...40	0...2 to 0...40	0...1 to 0...40		

## APPLICABLE ACCESSORIES

### A303 Sanitary connection ring/nut

#### NOTES:

1. All metal diaphragms are laser welded to the Top Chamber.