

## FEATURES

- Back seating to prevent stem blow-out

## APPLICATION

- Isolation & Venting of gauges, switches & other instruments
- Liquid & gas services

### Multi-port

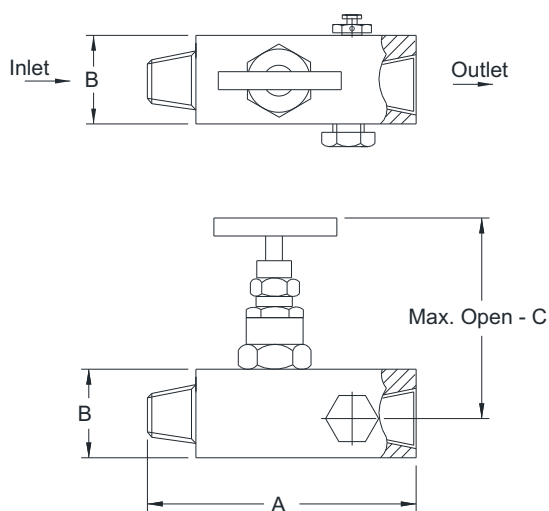


### STANDARD SPECIFICATIONS

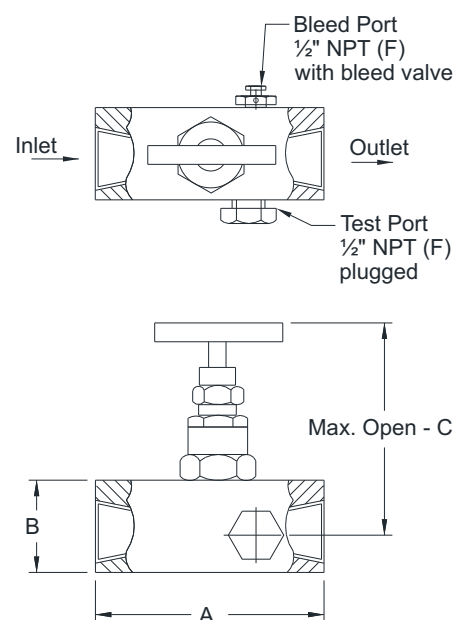
Stem type	: Hard seated stem
Wetted parts	: AISI 316 SS
Instrument connection	: 1/2" NPT (F) / 1/2" BSP (F)
Stem packing	: PTFE
Process connection	: 1/2" NPT (M) / 1/2" BSP (M)
Stem	: Conical metal tip
Max. working pressure	: 413.7 bar (6000 psi)
Max. working temperature	: 240°C
"T" bar handle	: AISI 304 SS
Test connection	: 1/2" NPT (F) / 1/2" BSP (F)
Bleed connection	: 1/2" NPT (F), plugged

### DIMENSIONAL DRAWING

MALE X FEMALE



FEMALE X FEMALE

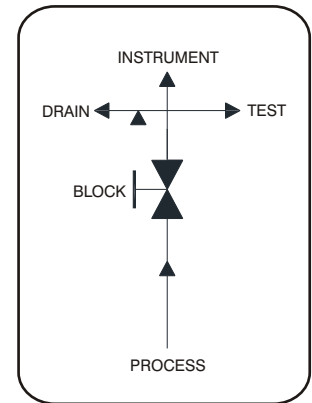


## DIMENSIONAL DRAWING

Connections		A	B	Max. open - C Stem Type	
Size	Type			HS	SS
NPT 1/4"	F x F	74	25	65	64.5
	M x F	84	25	65	64.5
NPT 3/8"	F x F	74	25	65	64.5
	M x F	84	25	65	64.5
NPT 1/2"	F x F	102	32	86.6	94
	M x F	115	32	86.6	94
NPT 3/4"	F x F	102	38	86.6	97
	M x F	115	38	86.6	97

All dimensions are in mm

## FLOW DIAGRAM



## ORDERING CODES

### 1. STEM TYPE

<b>HS</b>	Hard seated stem (Metal)
<b>SS</b>	Soft seated stem (Derlin)

HS

### 2. WETTED PARTS

<b>MB</b>	Carbon Steel / ASTM A105
<b>MC</b>	AISI 304 SS
<b>MF</b>	AISI 316 SS
<b>MG</b>	AISI 316L SS
<b>MM</b>	Monel 400
<b>MN</b>	Monel K-500
<b>MO</b>	Hastelloy C-276

MF

### 4. INSTRUMENT / TEST CONNECTION

<b>11N</b>	1/8" NPT (M)	<b>12N</b>	1/4" NPT (M)
<b>13N</b>	3/8" NPT (M)	<b>14N</b>	1/2" NPT (M)
<b>11B</b>	1/8" BSP (M)	<b>12B</b>	1/4" BSP (M)
<b>13B</b>	3/8" BSP (M)	<b>14B</b>	1/2" BSP (M)
<b>01N</b>	1/8" NPT (F)	<b>02N</b>	1/4" NPT (F)
<b>03N</b>	3/8" NPT (F)	<b>04N</b>	1/2" NPT (F)
<b>01B</b>	1/8" BSP (F)	<b>02B</b>	1/4" BSP (F)
<b>03B</b>	3/8" BSP (F)	<b>04B</b>	1/2" BSP (F)
<b>1SW</b>	1/8" Socket-Weld		
<b>2SW</b>	1/4" Socket-Weld		
<b>4SW</b>	1/2" Socket-Weld		
<b>5SW</b>	3/4" Socket-Weld		

04N

### 5. STEM PACKING

<b>P</b>	PTFE
<b>G</b>	Grafoil

P

### 6. PROCESS CONNECTION

<b>11N</b>	1/8" NPT (M)	<b>12N</b>	1/4" NPT (M)
<b>13N</b>	3/8" NPT (M)	<b>14N</b>	1/2" NPT (M)
<b>11B</b>	1/8" BSP (M)	<b>12B</b>	1/4" BSP (M)
<b>13B</b>	3/8" BSP (M)	<b>14B</b>	1/2" BSP (M)
<b>01N</b>	1/8" NPT (F)	<b>02N</b>	1/4" NPT (F)
<b>03N</b>	3/8" NPT (F)	<b>04N</b>	1/2" NPT (F)
<b>01B</b>	1/8" BSP (F)	<b>02B</b>	1/4" BSP (F)
<b>03B</b>	3/8" BSP (F)	<b>04B</b>	1/2" BSP (F)
<b>1SW</b>	1/8" Socket-Weld		
<b>2SW</b>	1/4" Socket-Weld		
<b>4SW</b>	1/2" Socket-Weld		
<b>5SW</b>	3/4" Socket-Weld		

14N

### 7. OTHER OPTIONS

<b>XY</b>	Circular Handle
<b>TN</b>	Tested to NACE standards
<b>TO</b>	Certification for Oxygen service
<b>TM</b>	Material test certificate 2.2
<b>TH</b>	Hydro test certificate
<b>TC</b>	Material test certificate 3.1
<b>XL</b>	Marking by laser

XL

Ordering Example : V103-HS-MF-04N-P-14N-XL

## APPLICABLE ACCESSORIES

<b>A503</b>	Drain plug
<b>A505</b>	Bleeder
<b>A507</b>	Ring for flanged seal
<b>A508</b>	Sealing gasket

### NOTES:

- Other connections are available, please contact factory for details.
- Valve stem dust covers shall be identified with color codes according to their function as ; Blue = ISOLATE