

FEATURES

- Laser welded diaphragm
- Full seal-welded seal

APPLICATION

- Oil & Gas applications
- Corrosive environments

Threaded



STANDARD PARAMETERS

Accuracy	:	CL 1.6
Ambient temperature	:	-40...+65°C (without dampening liquid)
	:	-20...+65°C (with dampening liquid)
Service temperature	:	10...150°C max.
Pressure limits	:	Steady pressure up to FS value
Weld joints	:	TIG argon arc welding

MATERIAL OF CONSTRUCTION

Sensing element	:	Diaphragm
Case & Ring material	:	AISI 304 SS (Bayonet type)
Diaphragm, Bourdon tube & Shank	:	AISI 316L SS (Shank welded directly to case)
Movement mechanism	:	AISI 304 SS
Seal body	:	AISI 316 SS
Dial	:	Aluminum, black graduation on white background
Pointer	:	Micro-zero adjustable, aluminum, black powder coated
Gaskets & filling plug	:	Neoprene / NBR
Window	:	Shatterproof safety glass

STANDARD SPECIFICATIONS

Dial size	:	DN100
Range	:	4...70 bar
Mounting pattern	:	Direct, Bottom connection
Process connection	:	1/2" NPT (M) / 1/2" BSP (M)
Seal filling fluid	:	Silicon DC 200
Ingress protection	:	IP 65
Execution	:	Dry

STANDARD SPECIFICATIONS : DAMPENING LIQUID FILLED, GLYCERIN

Accuracy	:	CL 2.5
Window	:	Plexi glass
Dampening liquid	:	Glycerin 99.7%

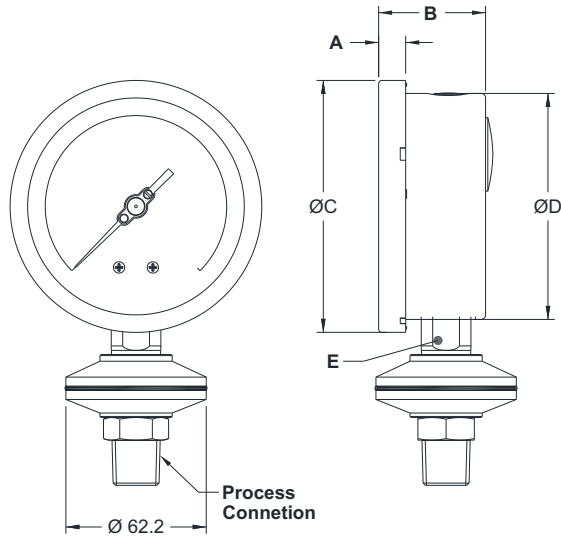
TEMPERATURE EFFECT

When temperature of the measuring system deviates from reference temperature (+20°C) max error $\pm 0.4\%$ / 10K of true scale value.

REFERENCE

EN 837-1

DIMENSIONAL DRAWING



DN	A	B	ØC	ØD	E	Weight (grams)
100	12	48	111	100	SQ.22	950
150	15	48	161	149	SQ.22	1350

All dimensions are in mm.

ORDERING CODES

1. DIAL SIZE

04	100 mm / 4"
06	150 mm / 6"

04

2. RANGE

XXX	Refer "Range Table"
------------	---------------------

XXX

3. MOUNTING PATTERN

B0	Direct, Bottom connection
-----------	---------------------------

B0

4. PROCESS CONNECTION

12B	1/4" BSP (M)
12N	1/4" NPT (M)
13B	3/8" BSP (M)
14B	1/2" BSP (M)
14M	M20 X 1.5 mm (M)
14N	1/2" NPT (M)

T96

5. INGRESS PROTECTION

ER	IP 65
-----------	-------

ER

6. EXECUTION

EA	Dry
EB	Dry but fillable
EG	Dampening liquid filled, glycerine

EA

7. OTHER OPTIONS

TA	5 - point calibration certificate
TC	Material test certificate 3.1
TM	Material test certificate 2.2
XF	SS tag plate, AISI 304 SS
XG	SS tag plate, AISI 316 SS
XR	Custom designed dial
XT	Dial tag marking

XX

Ordering Example : P703-04-XXX-B0-T96-ER-EA

NOTES

1. For other connections, please contact factory.