

## FEATURES

- 1 SPDT contact
- Weatherproof to IP 67
- Field adjustable set point
- High Accuracy / Repeatability

## APPLICATION

- Earth movers
- OEM industries
- Lubrication industries
- Hydraulic equipments
- Pneumatic machineries
- Automobile applications

### OEM Industry Applications



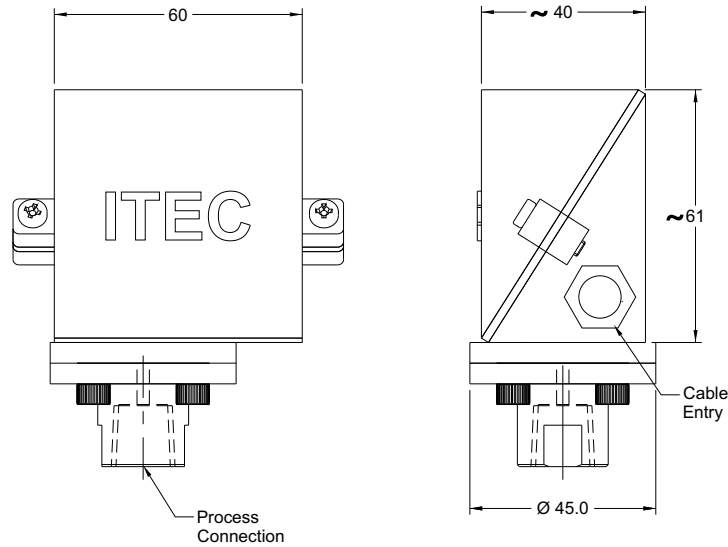
### STANDARD SPECIFICATIONS

Repeatability	:	± 1.0 % F.S
Measurement unit	:	bar
Range	:	Refer "Range Table"
Differential	:	Fixed
Mounting	:	Bottom / Panel
Enclosure Material	:	Aluminum pressure die cast
Sensing Elements	:	SS 316 Diaphragm
Switch	:	1 SPDT Snap action micro switch
Switch Rating	:	5A,250 VAC / 0.2A,24 VDC
Process Connection	:	1/4"BSP(F)
Maximum Process Temperature	:	150 °C
Ambient Temperature	:	-10...60 °C
Cable entry	:	PG - 7
Set point	:	Between 20 to 80 % F.S for better performance
High Voltage Strength	:	0.5 to 0.6 KV between open contacts and 2 K V between contact and body

### RANGE TABLE

CODE	Range "bar"
B04	0.2...2
B06	0...4
B07	0.6...6
B09	1...10
B11	1...16
B13	2...25
B15	2...32
B16	4...40
B17	5...60
B19	10...100

DIMENSIONAL DRAWING



All dimensions are in mm

ORDERING CODES

1. RANGE

Refer "Range Table"

B09

2. CHAMBER MATERIAL

- NC AISI 304 SS
- NF AISI 316 SS

NC

3. SENSING ELEMENT MATERIAL

- DF AISI 316 SS
- DG AISI 316L SS

DF

4. CONNECTION<sup>1</sup>

- 12B 1/4" BSP (M)
- 13B 3/8" BSP (M)
- 14B 1/2" BSP (M)
- 12N 1/4" NPT (M)
- 13N 3/8" NPT (M)
- 14N 1/2" NPT (M)

02B

5. OTHER OPTIONS

- TB Calibration Certificate
- XF AISI 304 SS tag plate

XX

Ordering Example : S104-B09-NC-DF-02B

NOTES:

- 1. Connections are through adaptors.