

FEATURES

- All SS measuring system
- External Zero adjustment
- Electric contact version
- Dry / liquid filled

APPLICATION

- Liquid & gaseous mediums
- Corrosive environments
- Oil & Gas applications
- Chemical & Petrochemical
- Food & Beverages
- Nuclear power plants

Single Diaphragm



STANDARD PARAMETERS

Accuracy	:	CL 2.5
Ambient temperature	:	-40...+65°C (without dampening liquid)
	:	-20...+65°C (with dampening liquid)
Service temperature	:	200°C max.
Static pressure limits	:	2 bar up to 250 mmWC
		6 bar above 250 to 600 mmWC
		10 bar above 600 to 6000 mmWC
		40 bar above 6000 mmWC to 4 bar
		60 bar above 4 bar

MATERIAL OF CONSTRUCTION

Sensing element	:	Diaphragm
Case & Ring material	:	AISI 304 SS (Bayonet type)
Diaphragm	:	AISI 316L SS
Chamber	:	AISI 304 SS
Fastener	:	AISI 304 SS
Movement mechanism	:	AISI 304 SS
Dial	:	Aluminum, black graduation on white background
Pointer	:	Micro-zero adjustable, aluminum, black powder coated
Gaskets & filling plug	:	Neoprene / NBR
Window	:	Shatterproof Safety Glass

STANDARD SPECIFICATIONS

Dial size	:	DN100 / DN125 / DN150
Range	:	25 mbar...0...25 bar
Mounting pattern	:	Direct, Bottom connection
Process connection	:	1/4" NPT (F) x 2 Nos.
Ingress protection	:	IP 65
Execution	:	Dry
Chamber type	:	Pattern 1 (0...0.6 bar up to 0...25 bar)

STANDARD SPECIFICATIONS : DAMPENING LIQUID FILLED, GLYCERIN

Accuracy	:	CL 4.0
Window	:	Shatterproof safety glass
Dampening liquid	:	Glycerin 99.7%

STANDARD SPECIFICATIONS : ELECTRIC CONTACT VERSION

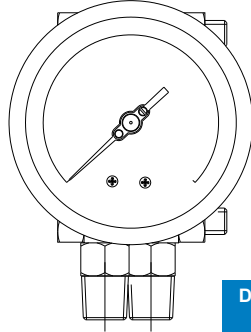
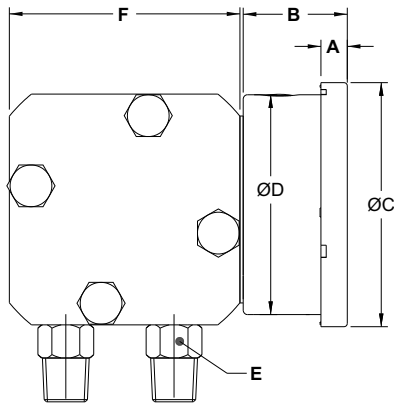
Accuracy	:	CL 4.0
Window	:	Poly carbonate dome
Switch	:	1NO; Make contact
Dampening liquid	:	Dielectric oil (Optional)
Electrical termination	:	4 pin PG13.5 connector

REFERENCE

EN 837-3

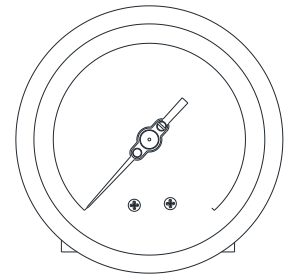
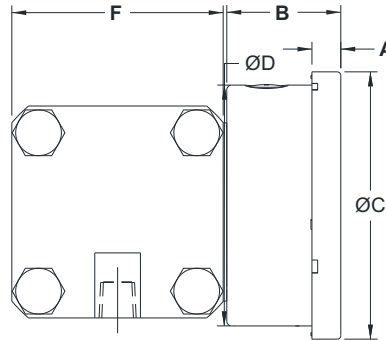
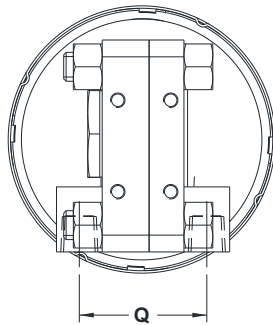
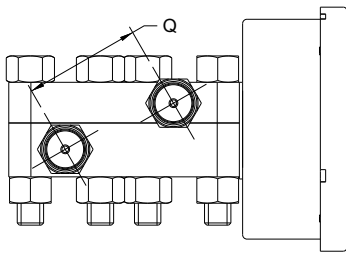
DIMENSIONAL DRAWING

Type B0, Pattern 1



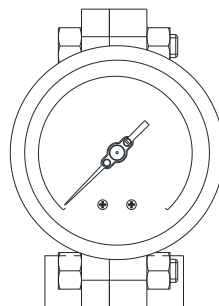
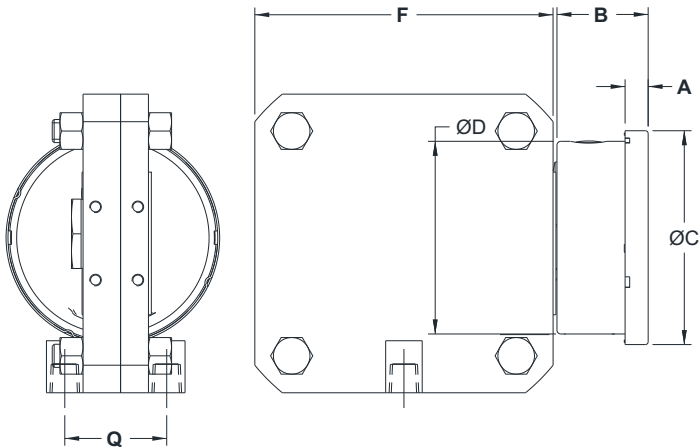
DN	A	B	ØC	ØD	E	F	Q	Weight (gram)
100	12	48	111	100	A/F-22	SQ.105	54	4113
125	15	48	129	118.5	A/F-22	SQ.105	54	4301
150	15	48	161	149	A/F-22	SQ.105	54	4507

Type B0, Pattern 2



DN	A	B	ØC	ØD	F	Q	Weight (gram)
100	12	48	111	100	SQ.88	54	2857
150	15	48	161	149	SQ.88	54	3251

Type B0, Pattern 3

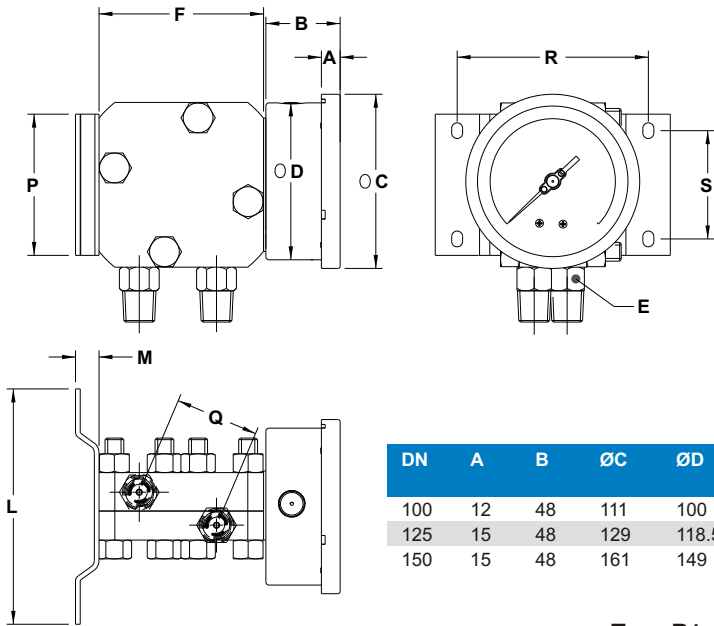


DN	A	B	ØC	ØD	F	Q	Weight (gram)
100	12	48	111	100	SQ.155	54	7019
150	15	48	161	149	SQ.155	54	7413

All dimensions are in mm.

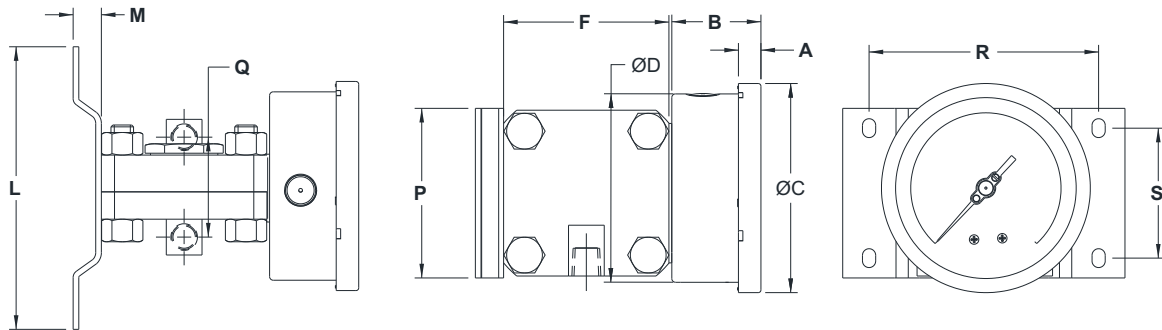
DIMENSIONAL DRAWING

Type B1, Pattern 1



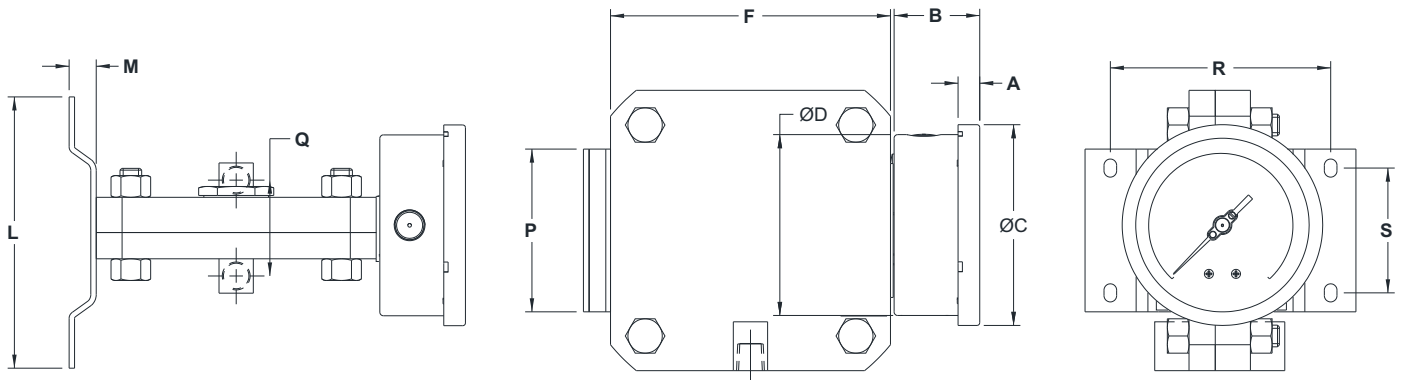
DN	A	B	ØC	ØD	E	F	Q	L	M	P	R	S	Weight (grams)
100	12	48	111	100	A/F-22	SQ.105	54	150	15	90	122	69	4406
125	15	48	129	118.5	A/F-22	SQ.105	54	150	15	90	122	69	4594
150	15	48	161	149	A/F-22	SQ.105	54	150	15	90	122	69	4800

Type B1, Pattern 2



DN	A	B	ØC	ØD	F	Q	L	M	P	R	S	Weight (grams)
100	12	48	111	100	SQ.88	54	150	15	90	122	69	3150
150	15	48	161	149	SQ.88	54	150	15	90	122	69	3544

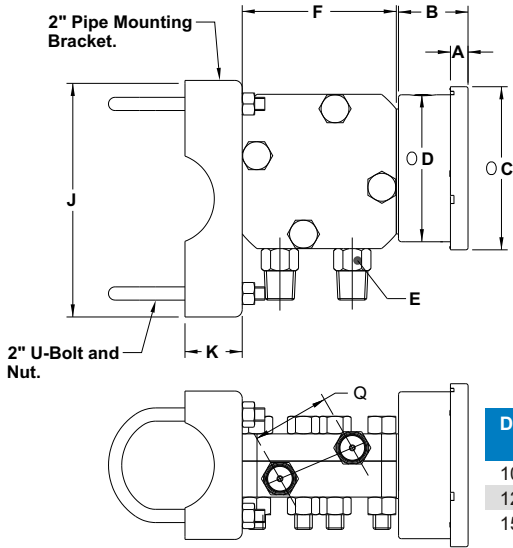
Type B1, Pattern 3



DN	A	B	ØC	ØD	F	Q	L	M	P	R	S	Weight (grams)
100	12	48	111	100	SQ.155	54	150	15	90	122	69	7312
150	15	48	161	149	SQ.155	54	150	15	90	122	69	7706

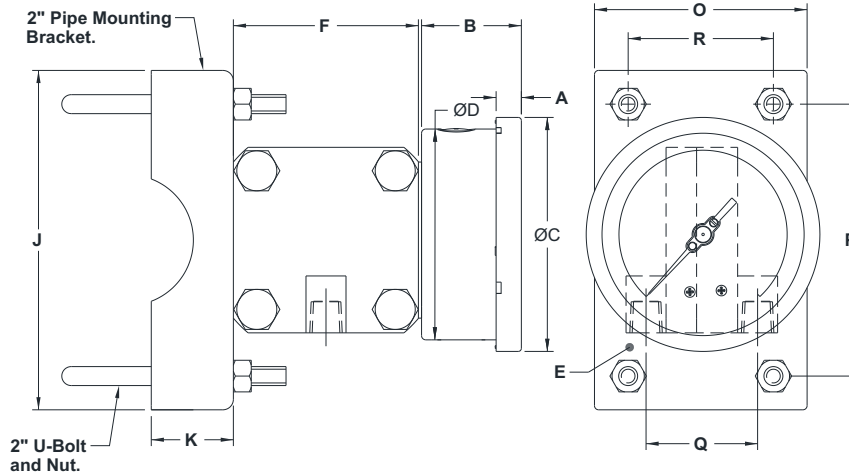
DIMENSIONAL DRAWING

Type B2, Pattern 1



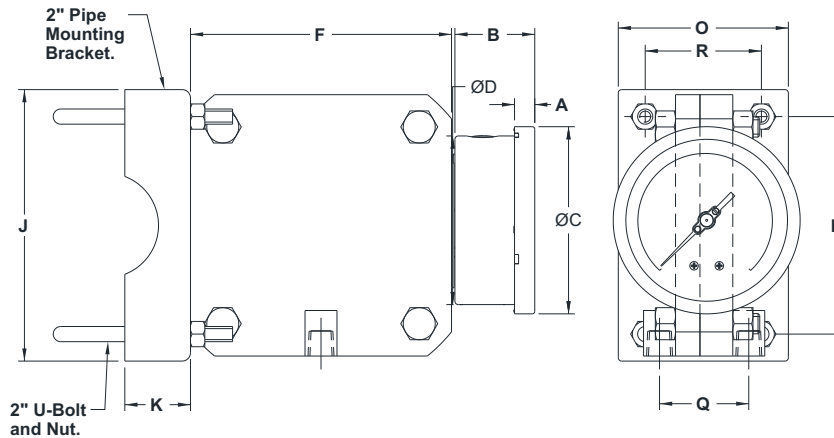
DN	A	B	ØC	ØD	E	F	Q	J	K	O	P	Weight (grams)
100	12	48	111	100	A/F-22	SQ.105	54	161	39	101	129	4406
125	15	48	129	118.5	A/F-22	SQ.105	54	161	39	101	129	4594
150	15	48	161	149	A/F-22	SQ.105	54	161	39	101	129	4800

Type B2, Pattern 2



DN	A	B	ØC	ØD	F	Q	J	K	O	P	R	Weight (grams)
100	12	48	111	100	SQ.88	54	161	39	101	129	69	1580
150	15	48	161	149	SQ.88	54	150	15	90	122	69	1974

Type B2, Pattern 3

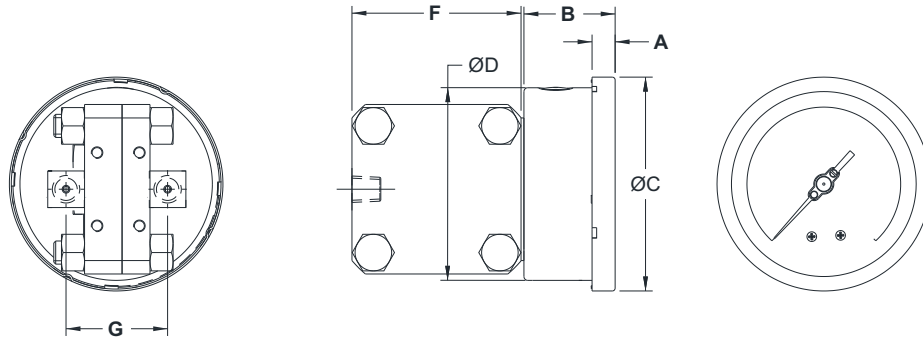


DN	A	B	ØC	ØD	F	Q	J	K	O	P	R	Weight (grams)
100	12	48	111	100	SQ.155	54	161	39	101	129	69	8093
150	15	48	161	149	SQ.155	54	161	39	101	129	69	8087

All dimensions are in mm.

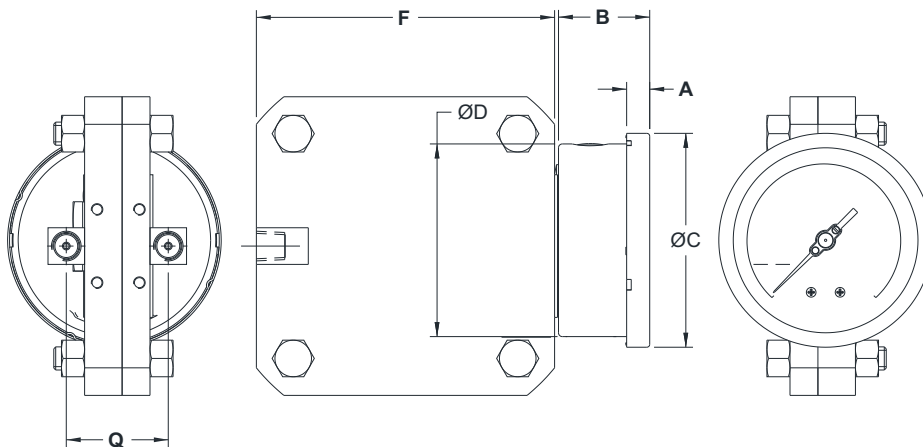
DIMENSIONAL DRAWING

Type R0, Pattern 2



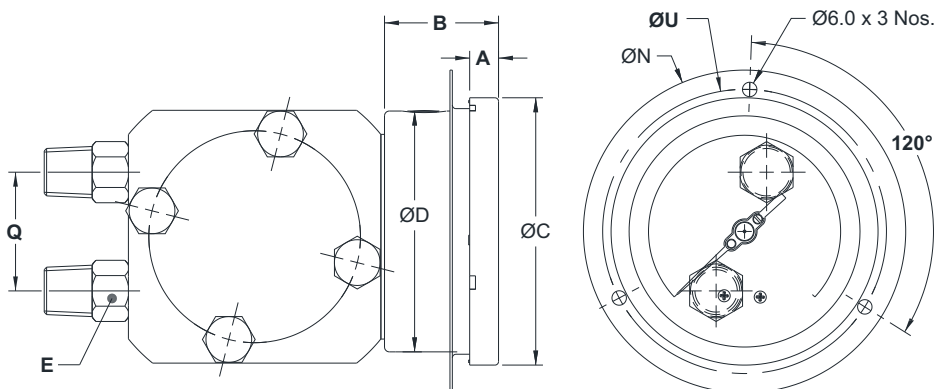
DN	A	B	ØC	ØD	F	Q	Weight (gram)
100	12	48	111	100	SQ.88	54	2857
150	15	48	161	149	SQ.88	54	3251

Type R0, Pattern 3



DN	A	B	ØC	ØD	F	Q	Weight (gram)
100	12	48	111	100	SQ.155	54	7019
150	15	48	161	149	SQ.155	54	7413

Type R2, Pattern 1



DN	A	B	ØC	ØD	E	F	Q	ØN	ØU	Weight (grams)
100	12	48	111	100	A/F-22	SQ.105	54	134	118	4187
125	15	48	129	118.5	A/F-22	SQ.105	54	150	137	4377
150	15	48	161	149	A/F-22	SQ.105	54	186	168	4623

ORDERING CODES

1. DIAL SIZE		04	9. ELECTRIC CONTACT		XX
04	100 mm / 4"		CS1	Break contact (1NC)	
45	125 mm / 4.5"		CS2	Make contact (1NO)	
06	150 mm / 6"		CS3	2 x Break contact (2NC)	
2. RANGE		XXX	CS4	2 x Make contact (2NO)	
XXX	Refer "Range Table"		CS5	1 Break + 1 Make (1NC+1NO)	
3. MOUNTING PATTERN		B0	CS6	1 Make + 1 Break (1NO+1NC)	
B0	Direct, Bottom connection		CD1	Break contact (1NC)	
B1	Wall/Surface/Projection mounting, Bottom connection		CD2	Make contact (1NO)	
B2	2" Pipe/Yoke mounting, Bottom connection		CD3	2 x Break contact (2NC)	
R2	Panel/Front flange mounting, Centre Back connection		CD4	2 x Make contact (2NO)	
4. PROCESS CONNECTION		02N	CD5	1 Break + 1 Make (1NC+1NO)	
02B	1/4" BSP (F) x 2 Nos.		CD6	1 Make + 1 Break (1NO+1NC)	
02N	1/4" NPT (F) x 2 Nos.		CD7	SPDT	
13B	3/8" BSP (M) x 2 Nos.		CD8	DPDT	
14B	1/2" BSP (M) x 2 Nos.		CI1	Break contact (1NC)	
14M	M20 X 1.5 mm (M) x 2 Nos.		CI2	Make contact (1NO)	
14N	1/2" NPT (M) x 2 Nos.		CI3	2 x Break contact (2NC)	
5. INGRESS PROTECTION		ER	CI4	2 x Make contact (2NO)	
ER	IP 65		CI5	1 Break + 1 Make (1NC+1NO)	
6. EXECUTION		EA	CI6	1 Make + 1 Break (1NO+1NC)	
EA	Dry		CI9	Booster relay for current up to 5A	
EG	Dampening liquid filled, glycerine		10. OTHER OPTIONS		
EH	Dampening liquid filled, silicon oil ³		BA	Case & Ring in AISI 316 SS (B0)	
EK	Dampening liquid, dielectric oil ³	BB	Case & Ring in AISI 316 SS (B1)		
7. CHAMBER TYPE		1	BC	Case & Ring in AISI 316 SS (B2)	
1	Pattern 1 (0...0.6 bar up to 0...25 bar)		BI	Case & Ring in AISI 316 SS (R2)	
2	Pattern 2 (0...0.6 bar up to 0...25 bar)		GL	AISI 316 SS movement	
3	Pattern 3 (0...25 mbar up to 0...400 mbar)		GM	Dampened movement	
8. SWITCH CATEGORY		XX	GZ	External zero adjustment	
RR	Economic contacts		G6	6 pin, M20 x 1.5 mm connector	
RS	Precision contacts		RA	Rubber parts, Viton	
RT	ATEX / CE approved contacts		RW	Vent plug, ON-OFF type	
			TA	5 - point calibration certificate	
			TC	Material test certificate 3.1	
			TM	Material test certificate 2.2	
			TN	Tested to NACE standards	
			XF	SS tag plate, AISI 304 SS	
			XG	SS tag plate, AISI 316 SS	
			XR	Custom designed dial	
			XT	Dial tag marking	

Ordering Example : P302-04-XXX-B0-02N-ER-EA-2

NOTES

- For other connections, please contact factory.
- 1/4" NPT (F) is standard process connection. All other sizes are provided through adaptors.
- Rubber parts shall be in Viton.