

FEATURES

- Mineral insulated
- Spring Loaded Design
- Ceramic block with Ni-plated or Silver plated terminals

APPLICATION

- Spares
- Replacement of Existing assemblies in the field

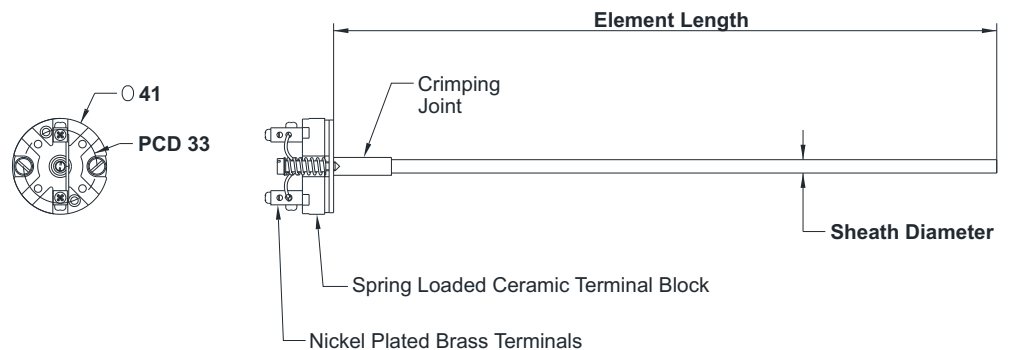
Spring Loaded Terminal Block



STANDARD SPECIFICATIONS

Element	:	Pt-100, class B
Range	:	-200...400°C
Wire combination	:	Simplex, 3 Wire
Sheath material	:	AISI 316 SS
Sheath diameter	:	6.0 mm
Cold-end termination	:	Spring Loaded Terminal Block
	:	(OD = 41 mm ,PCD = 33 mm)
Element length	:	150 mm

DIMENSIONAL DRAWING



REFERENCE

IEC-751 / DIN 43760

ORDERING CODES

1. ELEMENT

- 0 Pt100, class A
- 1 Pt100, class B
- 2 Pt500, class A
- 3 Pt500, class B
- 4 Pt1000, class A
- 5 Pt1000, class B

1

2. RANGE

- 97C -200...400°C
- 98C 0...600°C

97C

3. WIRE COMBINATION

- A Simplex, 2-Wire
- C Simplex, 3-Wire
- D Simplex, 4-Wire
- F Duplex, 2-Wire
- H Duplex, 3-Wire
- I Duplex, 4-Wire

C

4. SHEATH MATERIAL

- MF AISI 316 SS
- MG AISI 316L SS

MF

5. SHEATH DIAMETER

- M30 3.0 mm²
- M50 5.0 mm
- M60 6.0 mm
- M80 8.0 mm

M60

6. COLD END TERMINATION

- KY Terminal block, spring loaded
Ø41mm/PCD33mm
- KZ Terminal block, spring loaded
Ø55mm/PCD46mm

KY

7. ELEMENT LENGTH (IL)

- XXXXX 50 mm up to 10,000 mm

150

8. OTHER OPTIONS

- TB Calibration Certificate
- XF Tag plate, AISI 304 SS

XX

Ordering Example : R203-1-97C-C-MF-M60-KY-150

NOTES:

1. Other sheath diameters, materials and connections are available, please contact factory for details.
2. Not available in Double, 4-Wire combinations.