

FEATURES

- Inert gas filled expansion
- Various type of Microswitches
- Weatherproof IP67

APPLICATION

- Marine applications
- Textile machineries
- Power & steel plants
- Furnace applications
- Oil & Gas, Refineries
- Petro-chemicals & Fertilizers
- Cement & Glass industries
- Railway engines & Turbines

High accuracy & repeatability type

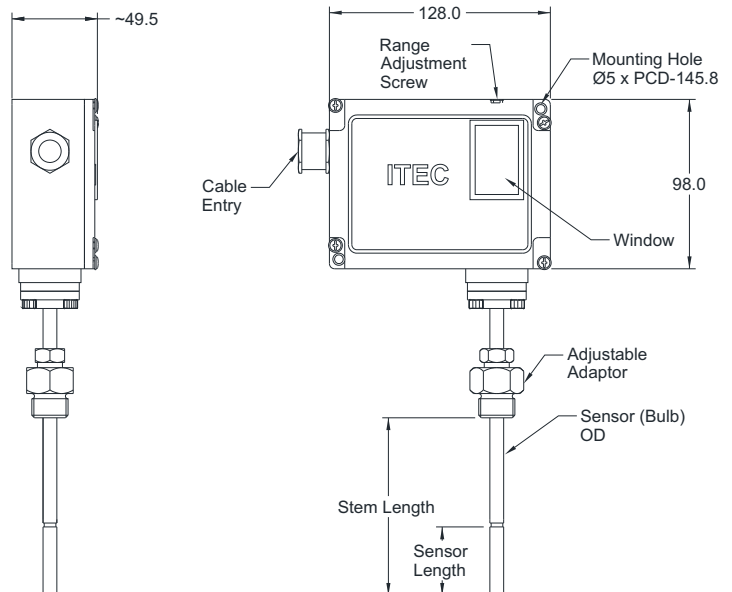


STANDARD SPECIFICATIONS

Repeatability	: ± 2 % F.S
Scale accuracy	: ± 5% F.S
Measurement unit	: °C / °F
Range	: Refer "Range Table"
Range adjustment	: External (Standard), Internal (Optional)
Differential	: Fixed (Standard), Adjustable (Optional)
Mounting	: Bottom / Panel
Enclosure material	: Aluminum pressure die cast
Sensor	: Inert gas filled bulb
Switch	: 1 SPDT Snap action micro switch
Switch rating	: 15A,250 VAC / 0.2A,24 VDC (Standard)
Stem diameter	: 6.0 mm
Stem length	: 300 mm
Process connection	: ½" NPT (M), Adjustable
Maximum temperature limit	: 110% of FS
Ambient temperature	: -10...60 °C
Cable entry	: PG.13.5 mm
Set point	: Between 20 to 80 % F.S for better performance
High voltage strength	: 0.5 to 0.6 KV between open contacts and 2 KV between contact and body

DIMENSIONAL DRAWING

ASSEMBLY : B8

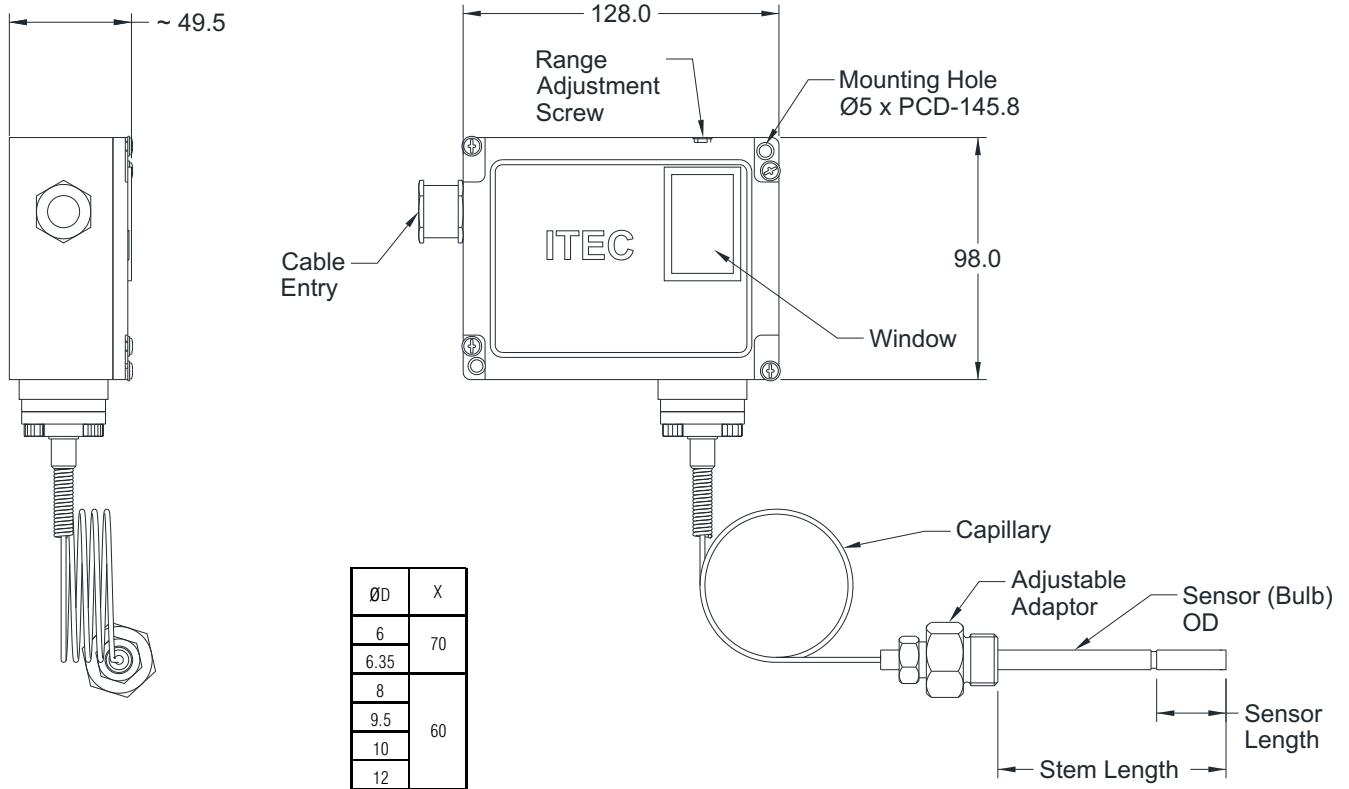


ØD	X
6	70
6.35	60
8	
9.5	
10	
12	

All dimensions are in mm.

DIMENSIONAL DRAWING

ASSEMBLY : B9



All dimensions are in mm.

MICROSWITCH SPECIFICATION

DESCRIPTION	RATING	RATING	DIFFERENTIAL	TYPE	SWITCH CODE	
	AC	DC			1 No.	2 Nos.
Low deadband / differential	15A/250V, 2A/24V 0.2A/220V	15A/250V, 2A/24V 0.2A/220V	Fix	SPDT	M10	M20
High dead band / differential	15A/250V, 6A/24V 0.25A/220V	15A/250V, 5A/24V 0.03A/220V	Adjustable	SPDT	M11	-
Gold plated switch	1A/250V	0.5A/28V	Fix	SPDT	M13	M23
Environmentally sealed silver contact	5A/28V	-	Fix	SPDT	M14	M24
Hermetically sealed silver contact	3A/28V	2A/24V	Fix	SPDT	M16	-
Hermetically sealed gold contact	1A/125V	-	Fix	SPDT	M17	-
DPDT	10A/125V, 0.2A/250V	-	Fix	DPDT	M08	-

ORDERING CODES

1. RANGE

XXX Refer "Range Table"

C16

2. STEM MATERIAL

MF AISI 316 SS

MF

3. SET POINT

S8 On Raising
S9 On Falling

S8

4. MICROSWITCH TYPE

XXX Refer "Microswitch Specification"

M10

5. CABLE ENTRY

J8 PG 13.5
C0 3/4" ET (F)
C1 1/2" NPT (F)
C4 4 Pin Connector
C7 7 Pin Connector

J8

6. STEM DIAMETER

M60 6.0 mm
I14 1/4" (6.35 mm)
M80 8.0 mm
M95 9.5 mm
M10 10 mm
M12 12 mm

M60

7. STEM LENGTH

XXXX Up to 600 mm
(Above 600 mm consult factory before ordering)

300

8. ASSEMBLY

B8 Direct (Stem type)
B9 Remote (Capillary type)

B8

9. CAPILLARY

OU AISI 304SS
OV AISI 316 SS

XX

10. ARMOUR

OX AISI 304SS
OY AISI 316 SS
OZ PVC (Ambient max. 60°C)

XX

11. REMOTE MOUNTING LENGTH

XXXX 250 mm up to 5,000 mm

XXXX

12. PROCESS CONNECTION

13B 3/8" BSP (M)⁴
14B 1/2" BSP (M)
14N 1/2" NPT (M)

14N

13. OTHER OPTIONS

TB Calibration Certificate
XF AISI 304 SS tag plate
XV Wall mounting bracket
XS Mounting bracket with 2" U-clamp
TC Material test certificate 3.1
KE Cable gland, double compression weatherproof, Ni-plated brass

XX

Ordering Example : T704-C16-MF-S8-M10-J8-M60-300-B8-XX-XX-XXXX-14N

RANGE TABLE

CODE	RANGE " °C "
C02	-20...50
C13	5...50
C16	10...100
C20	20...200
C22	50...300
C23	100...400

COMPATIBLE ACCESSORIES

W101	: Fabricated threaded thermowell
W102	: Bar-stock threaded thermowell
W103	: Fabricated flanged thermowell
W104	: Bar-stock flanged thermowell

NOTES

1. Except "Standard" connection, other connections are given through adaptors.
2. The option "TC" covers only wetted parts.
3. Cable gland is available in other materials, contact factory.
4. 3/8" connections are available up to 10 mm stem diameter only.