

## FEATURES

- General purpose
- Stainless steel case
- Dry / liquid filled

## APPLICATION

- Municipal water supply
- Hydraulic & pneumatic

### DN100



#### STANDARD PARAMETERS

Accuracy	:	CL 1.6
Ambient temperature	:	-40...+65°C (without dampening liquid)
	:	-20...+65°C (with dampening liquid)
Service temperature	:	150°C max.
Pressure limits	:	Steady pressure up to 75% of FS value
	:	Short time 1.3 x FS value for range up to 100 bar
	:	Short time 1.15 x FS value for ranges 100 up to 600 bar
	:	Short time 1.1 x FS value for ranges above 600 bar
Joints	:	Silver alloy brazing / soldering

#### MATERIAL OF CONSTRUCTION

Sensing element	:	Bourdon Tube ( $\leq 100$ bar : C - type , $> 100$ bar : Helical)
Case & Ring material	:	AISI 304 SS (Bayonet type)
Bourdon tube & Shank	:	Phosphor Bronze
Movement mechanism	:	Copper Alloy
Dial	:	Aluminum, black graduation on white background
Pointer	:	Fixed, aluminum, black powder coated
Gaskets & filling plug	:	Neoprene
Window	:	Plexi glass

#### STANDARD SPECIFICATIONS

Dial size	:	DN100 / DN150
Range	:	-1...400 bar
Mounting pattern	:	Direct, Bottom connection
Process connection	:	1/2" NPT (M)
Ingress protection	:	IP 54 / IP 65
Execution	:	Dry / Dry but fillable, glycerin

#### STANDARD SPECIFICATIONS : DAMPENING LIQUID FILLED, GLYCERIN

Window	:	Safety glass
Dampening liquid	:	Glycerin 99.7% [Service temperature up to 65°C]

#### TEMPERATURE EFFECT

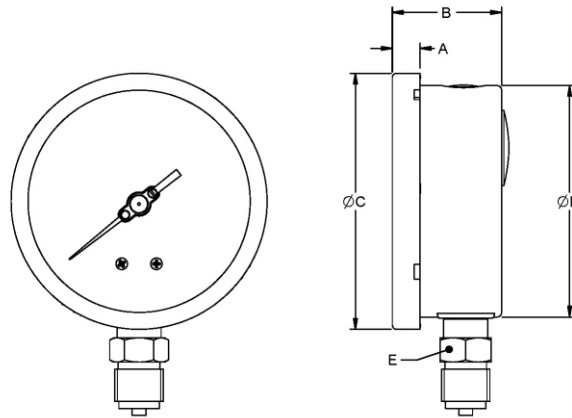
When temperature of the measuring system deviates from reference temperature (+20°C) max error  $\pm 0.4\%$  / 10K of true scale value.

## REFERENCE

EN 837-1

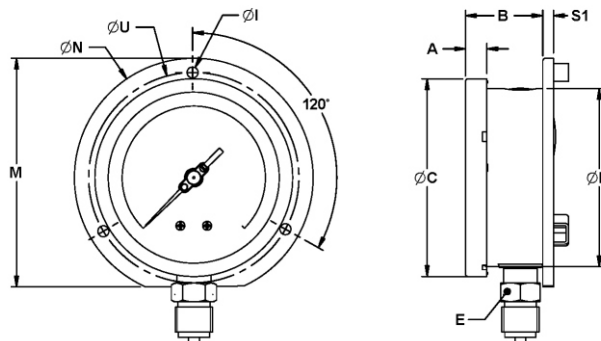
DIMENSIONAL DRAWING

Type B0



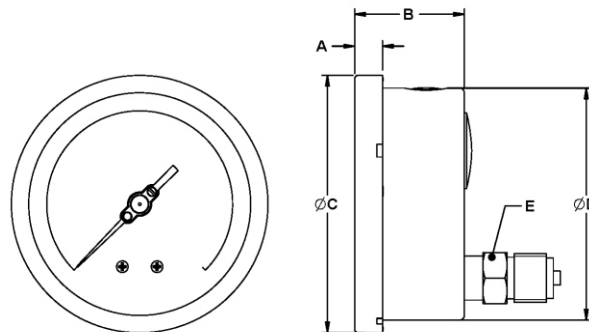
DN	A	B	ØC	ØD	E	Weight (grams)
100	12	48	111	100	SQ.22	506

Type B1



DN	A	B	ØC	ØD	E	ØI	M	ØN	S1	ØU	Weight (grams)
100	12	52	111	100	SQ.22	6	128	134	6	118	613

Type L0

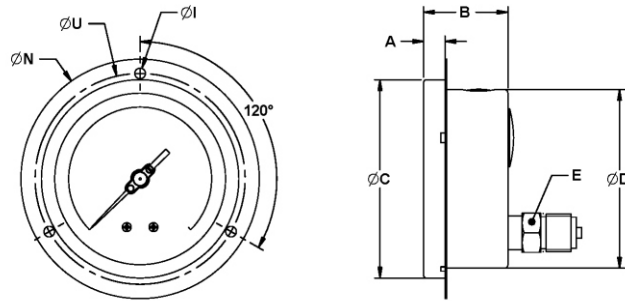


DN	A	B	ØC	ØD	E	Weight (grams)
100	12	48	111	100	SQ.22	506

All dimensions are in mm.

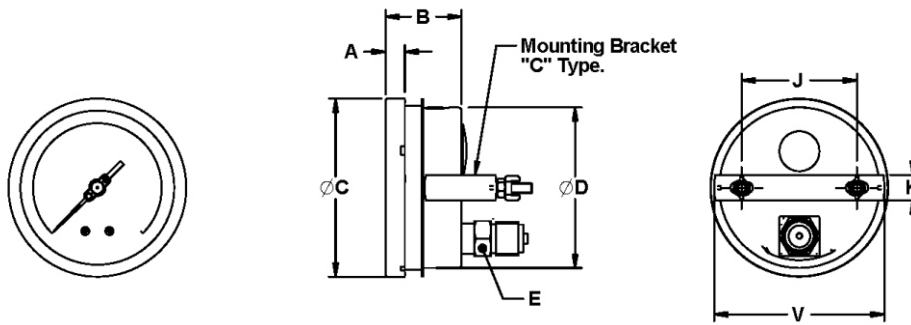
DIMENSIONAL DRAWING

Type L1



DN	A	B	$\varnothing C$	$\varnothing D$	E	$\varnothing I$	$\varnothing N$	$\varnothing U$	Weight (grams)
100	12	48	111	100	SQ.22	6	134	118	580

Type L2



DN	A	B	$\varnothing C$	$\varnothing D$	E	J	K	V	Weight (grams)
100	12	48	111	100	SQ.22	72	16	108	595

**ORDERING CODES**

**1. DIAL SIZE**

**04** 100 mm / 4"

**04**

**2. RANGE**

**XXX** Refer "Range Table"

**XXX**

**3. MOUNTING PATTERN**

- B0** Direct, Bottom connection
- B1** Wall/Surface/Projection mounting, Bottom Connection
- L0** Lower, Back connection
- L1** Panel/Front flange mounting, Lower Back connection
- L2** Panel/bracket mounting, Lower Back connection

**B0**

**4. PROCESS CONNECTION**

- 13B** 3/8" BSP (M)
- 14B** 1/2" BSP (M)
- 14M** M20 X 1.5 mm (M)
- 14N** 1/2" NPT (M)

**14N**

**5. INGRESS PROTECTION**

- EV** IP 54
- ER** IP 65

**EV**

**6. EXECUTION**

- EA** Dry<sup>3</sup>
- EB** Dry but fillable, glycerine
- EG** Dampening liquid filled, glycerine

**EB**

**7. OTHER OPTIONS**

- EO** Dampening screw, Cu Alloy
- EZ** Pointer stop on dial
- G9** Dial with Freon temperature scales
- GB** Plexi glass
- GC** Shatterproof safety glass
- GD** Toughened glass
- R9** Receiver gauge<sup>2</sup>
- TA** 5 - point calibration certificate
- XF** SS tag plate, AISI 304 SS
- XG** SS tag plate, AISI 316 SS
- XR** Custom designed dial
- XT** Dial tag marking

**XX**

**Ordering Example : P905-04-XXX-B0-14N-EV-EA**

**NOTES**

1. For other connections, please contact factory.
2. Please specify the second scale required.
3. Available with Ingress Protection IP 54 (dust proof) only.
4. C.C = Calibration Certificate