

FEATURES

- Economical version

APPLICATION

- Hydraulic machines
- Isolation for gauges
- Compressors

Brass

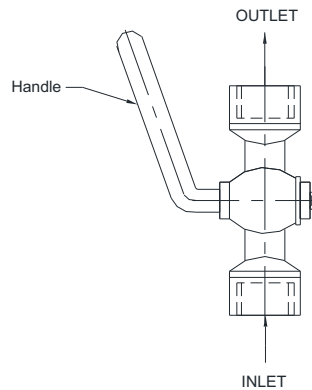


STANDARD SPECIFICATIONS

Type	: Pattern 1 (2 Way)
Material	: Brass
Instrument connection	: 3/8" BSP (F)
Process connection	: 3/8" BSP (F)
Maximum working pressure	: 16 bar
Maximum working temperature	: 120°C

DIMENSIONAL DRAWING

Pattern 1



ORDERING CODES

1. TYPE

1 Pattern 1 (2 Way)

2. MATERIAL

MA Brass

3. INSTRUMENT CONNECTION

02B 1/4" BSP (F)

04B 1/2" BSP (F)

03B 3/8" BSP (F)

4. PROCESS CONNECTION

02B 1/4" BSP (F)

04B 1/2" BSP (F)

03B 3/8" BSP (F)

Ordering Example : A104-1-MA-03B-03B

NOTES:

1. Picture shown are for reference purpose, the actual product may vary in appearance.
2. Minimum order quantity shall be 100 Nos.