

FEATURES

- Economical version
- SS case & ring
- Twin connector connection

APPLICATION

- Vehicle tyre pressure measurement

For Tyre Pressure Measurement



STANDARD PARAMETERS

Accuracy	:	CL 1.6 (DN63), CL 2.5% (DN50)
Ambient temperature	:	-20...+65°C
Service temperature	:	120°C max.
Pressure limits	:	Steady pressure up to 75% of FS value Short time 1.3 x FS value for range up to 100 bar
Weld joints	:	Silver alloy brazing / soldering

MATERIAL OF CONSTRUCTION

Sensing element	:	Bourdon Tube (<100 bar : C - type)
Case & Ring material	:	AISI 304 SS (Bayonet type)
Bourdon tube & Shank	:	Phosphor Bronze
Movement mechanism	:	Copper Alloy
Dial	:	Aluminum, black graduation on white background
Pointer	:	Fixed, aluminum, black powder coated
Gaskets & filling plug	:	Silicon gasket & Neoprene filling plug
Window	:	Plexi glass

STANDARD SPECIFICATIONS

Dial size	:	DN50 / DN63
Range	:	0...30 psi [S04], 0...60 psi [S06], 0...100 psi [S08] 0...150 psi [S09], 0...220 psi [S11]
Mounting pattern	:	Direct, Bottom connection
Process connection	:	Twin connection
Execution	:	Dry

TEMPERATURE EFFECT

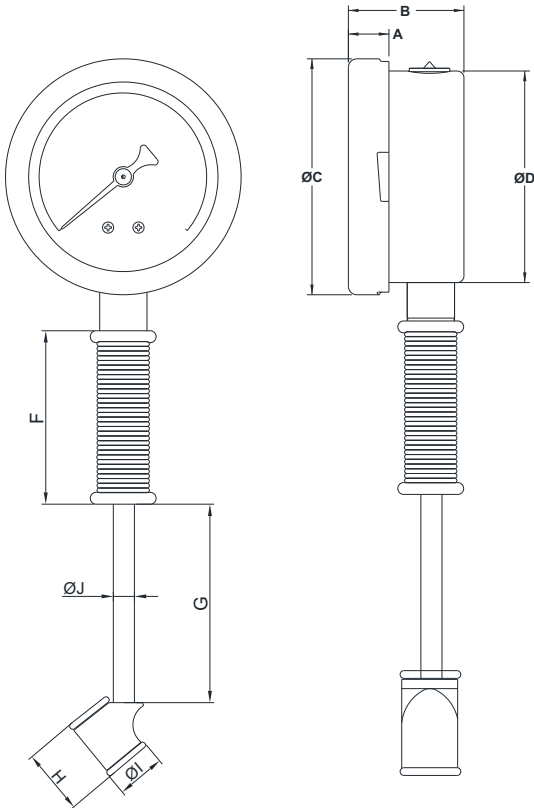
When temperature of the measuring system deviates from reference temperature (+20°C) max error $\pm 0.4\%$ / 10K of true scale value.

REFERENCE

EN 837-1

DIMENSIONAL DRAWING

Type B0



DN	A	B	ØC	ØD	E	F	G	H	ØI	ØJ	Weight (grams)
50	10	32	51	59	14	78	90	28	19	9.3	250
63	10	31	63	69	14	78	90	28	19	9.3	290

All dimensions are in mm.

ORDERING CODES

1. DIAL SIZE

02	50 mm / 2"
25	63 mm / 2½"

02

2. RANGE

XXX Refer "Range Table"

XXX

3. MOUNTING PATTERN

B0 Direct Bottom connection

B0

4. PROCESS CONNECTION

T98 Twin connection

T98

5. INGRESS PROTECTION

EV IP 54

EV

6. EXECUTION

EA Dry

EA

7. OTHER OPTIONS

XR Custom designed dial
TA 5 - point calibration certificate

XX

Ordering Example : P904-02-XXX-B0-T98-EV-EA

NOTES

1. For other connections, please contact factory.