

FEATURES

- Quick connect/disconnect
- Laser welded flush diaphragm
- DIN, SMS, RJT & IDF / ISS connections

APPLICATION

- Food & beverages industries
- Dairy & Ice cream industries
- Pharmaceuticals & cosmetics

Flush, Threaded

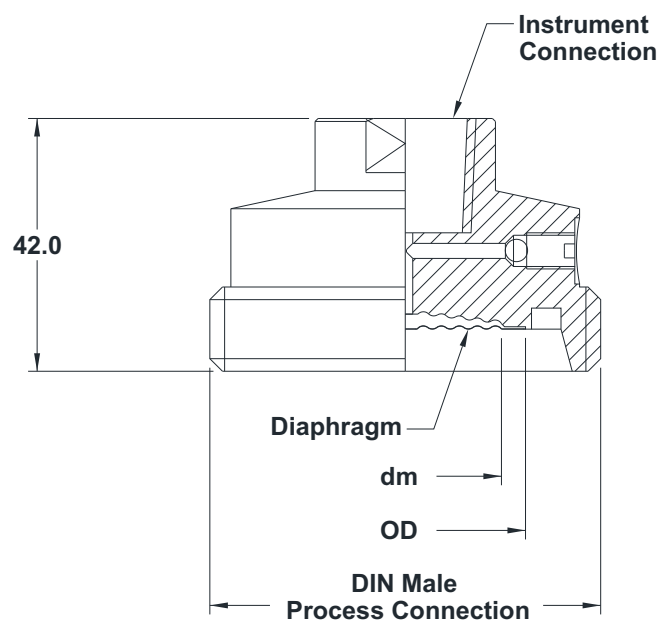


STANDARD SPECIFICATIONS

Range type	: 1...40 bar
Chamber material	: AISI 316 SS
Diaphragm	: AISI 316L SS
Instrument connection	: 1/2" NPT (F) / 1/2" BSP (F)
Sealing fluid	: Food Grade oil [-20°C to 140°C]
Process connection	: Male thread (DIN 11851 / SMS / RJT/APV / IDF/ISS)
Assembly	: Direct

DIMENSIONAL DRAWING

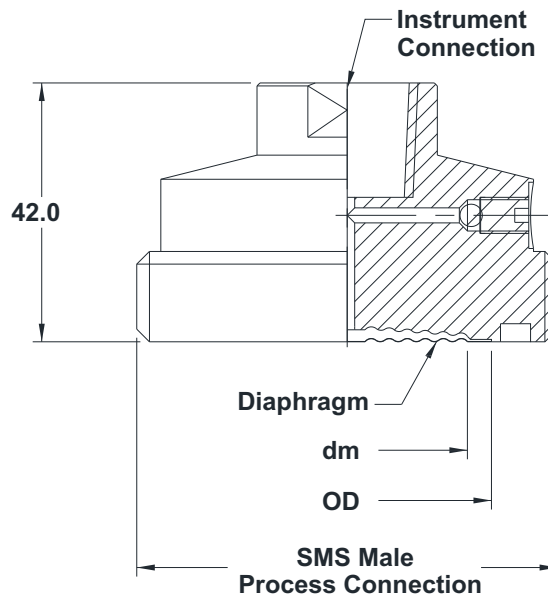
STANDARD : DIN 11851



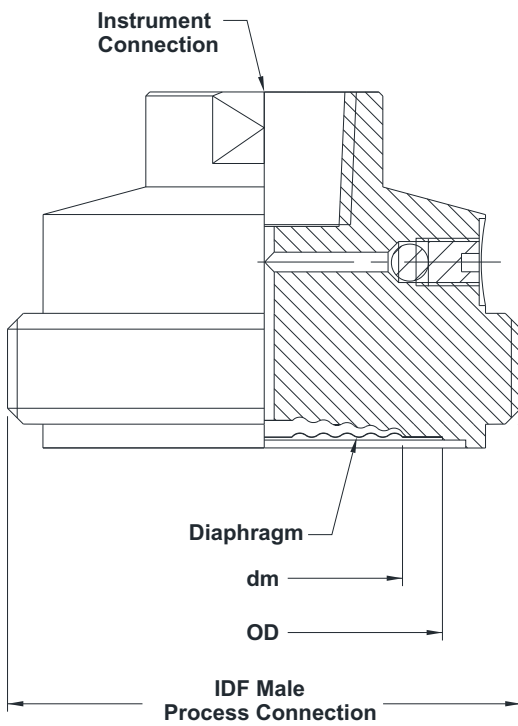
All dimensions are in mm.

DIMENSIONAL DRAWING

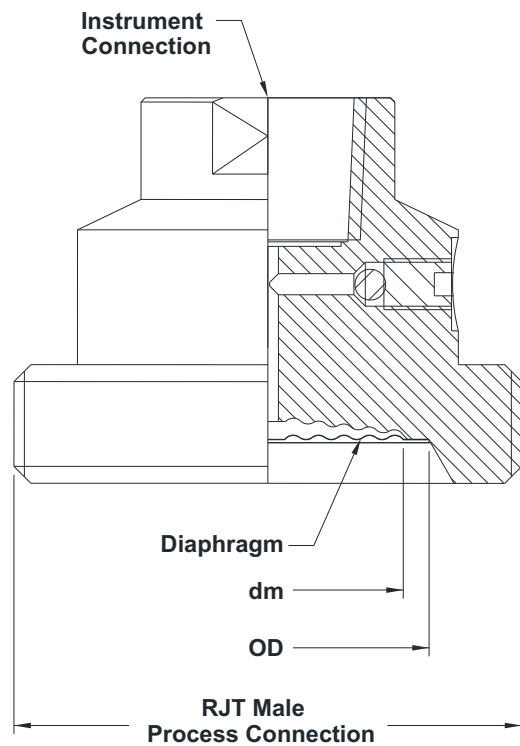
STANDARD : SMS



STANDARD : RJT / APV



STANDARD : IDF / ISS



ORDERING CODES

1. RANGE TYPE		S37	7. PROCESS CONNECTION (MALE THREAD)		T15	
S37	1...40 bar Refer range vs connection size table		T01	1" Connection (DN25)		
2. STANDARD TYPE		T40	T14	1¼" Connection (DN32)		
T40	DIN 11851		T15	1½" Connection (Dn40)		
T41	SMS		T02	2" Connection (Dn50)		
T42	RTJ / APV		T25	2½" Connection (DN63)		
T43	IDF / ISS		T03	3" Connection (DN80)		
3. CHAMBER MATERIAL		LF	8. ASSEMBLY		B8	
LF	AISI 316 SS		B8	Direct		
LG	AISI 316L SS	DG	9. CAPILLARY		XX	
4. DIAPHRAGM MATERIAL			OU	AISI 304 SS		
DG	AISI 316L SS		OV	AISI 316 SS		
5. INSTRUMENT CONNECTION			04N	10. ARMOUR		XX
03B	3/8" BSP (F)			OX	AISI 304 SS	
04N	½" NPT (F)	OY		AISI 316 SS		
02B	¼" BSP (F)	OZ		PVC (Ambient max. 60°C)		
04B	½" BSP (F)	11. REMOTE MOUNTING LENGTH		XXXX		
02N	¼" NPT (F)	XXXX			1000 mm up to 4000 mm	
6. SEALING FLUID		OG	12. OTHER OPTIONS		XX	
OF	Food grade oil [-20°C to 140°C]		XZ	Dry seal		
		HL	Helium leak test			
		TM	Material test certificate 2.2			
				TC	Material test certificate 3.1	

Ordering Example : D303-S37-T40-LF-DG-04N-OG-T15-B8

CONNECTION SIZE Vs RANGE CHART

DIN	Size	25	32	40	50	80
	"Diaphragm Size (OD/ED) in "mm"		35/25	38/32	48/40	59/52
Range (bar)		0...4 to 0...40	0...2 to 0...40	0...1 to 0...40	0...1 to 0...40	-1...0 to 0...40
SMS	Size	1"	1 ½"	2"		
	"Diaphragm Size (OD/ED) in "mm"	30/23	45/36	58/51		
	Range (bar)	0...4 to 0...40	0...2 to 0...40	0...1 to 0...40		

NOTES:

1. All metal diaphragms are laser welded to the Top Chamber.