

FEATURES

- Large volume type design
- Flushed diaphragm
- Laser welded diaphragm
- Optional flushing ring
- Optional exotic materials

APPLICATION

- Separation systems
- Isolation applications
- Viscous & corrosive media
- High-pressure applications
- High vibration application

Flushed Diaphragm

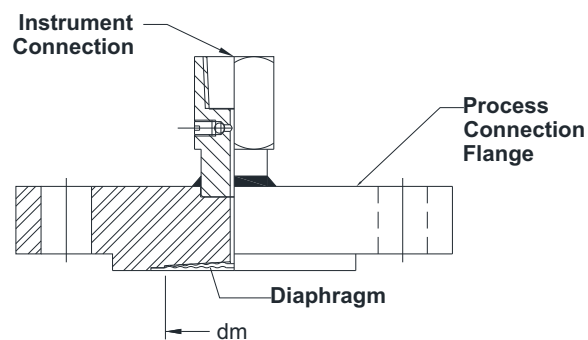


STANDARD SPECIFICATIONS

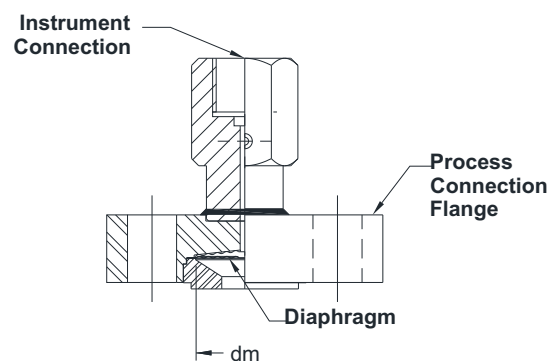
Range type	: -1...0 bar to 0...400 bar
Chamber / Flange material	: AISI 316 SS
Diaphragm	: AISI 316L SS
Instrument connection	: 1/2" NPT (F) / 1/2" BSP (F)
Sealing fluid	: Silicon DC 200 (-40...205°C)
Process connection	: Flange as per ANSI B16.5 / EN1092-1 / JIS B 2210
Flange facing type	: Raised face
Assembly	: Direct

DIMENSIONAL DRAWING

Type S45



Type S46



ORDERING CODES

1. RANGE TYPE

S45	-1...400 bar (Flange 1.5" & above)
S46	4...400bar (Flange ½" to 1")

S46

2. CHAMBER / FLANGE MATERIAL

LB	ASTM A105	LC	AISI 304 SS
LF	AISI 316 SS	LG	AISI 316L SS
LM	Monel 400	LO	Hastelloy C-276
LV	Titanium	LW	Tantalum

LC

3. DIAPHRAGM MATERIAL

DG	AISI 316L SS	DM	Monel 400
DO	Hastelloy C-276	DV	Titanium
DW	Tantalum		

DG

4. INSTRUMENT CONNECTION

03B	3/8" BSP (F)	04N	½" NPT (F)
02B	¼" BSP (F)	04B	½" BSP (F)
02N	¼" NPT (F)		

04N

5. SEALING FLUID

OA	Silicon DC 200 [-40°C to 205°C]
OF	Food grade oil [-20°C to 140°C]
OG	Glycerine [10°C to 150°C]
OI	Syltherm 800 [-40°C to 315°C]
OL	Silicon DC 710 [7°C to 371°C]

OA

6. PROCESS CONNECTION

XXX	Refer Flange Table for the codes
------------	----------------------------------

A25

7. FLANGE FACING

F	Flat Face
J	Ring-Type Joint
R	Raised Face
T	Tongue and Groove (T&G)

R

8. PROTECTION ON WETTED PARTS

PA	PTFE coating on flange
PC	PTFE coating on diaphragm

XX

9. ASSEMBLY

B8	Direct
B9	Remote (capillary)

XX

10. CAPILLARY

OU	AISI 304 SS	OV	AISI 316 SS
-----------	-------------	-----------	-------------

XX

11. ARMOUR

OX	AISI 304 SS	OY	AISI 316 SS
OZ	PVC (Ambient max. 60°C)		

XX

12. REMOTE MOUNTING LENGTH

XXXX	1000 mm up to 6000 mm
-------------	-----------------------

XXXX

13. OTHER OPTIONS

XZ	Dry seal
HL	Helium leak test
TM	Material test certificate 2.2
TC	Material test certificate 3.1

XX

Ordering Example : D202-S45-LC-DG-04N-OA-A25-R-XX-B8

APPLICABLE ACCESSORIES

A301	Flushing Ring
-------------	---------------

MOUNTING KITS

Hardware	Bolt / Nut / Washer
Flanges	Suitable mating type
Gaskets	Metal / Graphoil

NOTES:

- Other sealing liquids are available, contact factory for further details.
- All metal diaphragms are laser welded to the Top Chamber.