

FEATURES

- Economical version
- General purpose
- Compact case
- Dry execution

APPLICATION

- Water & air tanks

Economical



STANDARD PARAMETERS

Accuracy	:	CL 1.0
Ambient temperature	:	-40... +65°C
Service temperature	:	150°C max.
Pressure limits	:	Steady pressure up to full scale value
Joints	:	Silver alloy brazing / soldering

MATERIAL OF CONSTRUCTION

Sensing element	:	Bourdon Tube (<100 bar : C - type , >100 bar : Helical)
Case & Ring material	:	Steel, powder coated (Bayonet type)
Bourdon tube & Shank	:	Phosphor Bronze
Movement mechanism	:	Copper Alloy
Dial	:	Aluminum, black graduation on white background
Pointer	:	Fixed, aluminum, black powder coated
Gasket & Blow off plugs	:	Neoprene
Window	:	Sheet glass

STANDARD SPECIFICATIONS

Dial size	:	DN250
Range	:	-1...0 bar to 0...2,000 bar
Mounting pattern	:	Direct, Bottom connection
Process connection	:	½" NPT (M)
Ingress protection	:	IP 54
Execution	:	Dry

TEMPERATURE EFFECT

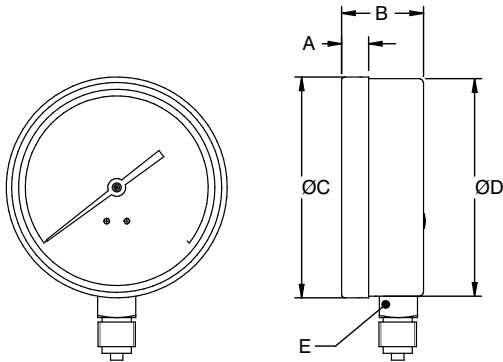
When temperature of the measuring system deviates from reference temperature (+20°C) max error $\pm 0.4\%$ / 10K of true scale value.

REFERENCE

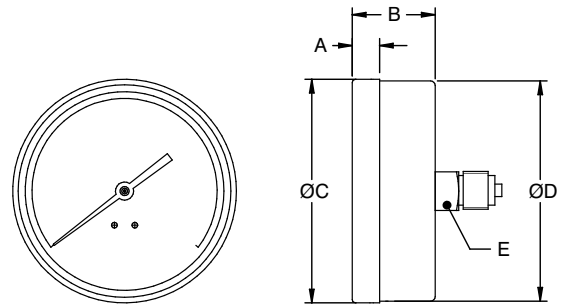
EN 837-1

DIMENSIONAL DRAWING

Type B0



Type R0



DN	A	B	ØC	ØD	E	Weight (grams)
250	37.5	51	252	249	22	2060

All dimensions are in mm.

ORDERING CODES

1. DIAL SIZE

10 250 mm / 10"

10

2. RANGE

XXX Refer "Range Table"

XXX

3. MOUNTING PATTERN

B0 Direct, Bottom connection
R0 Center, Back connection

B0

4. PROCESS CONNECTION

14N 1/2" NPT (M)
14B 1/2" BSP (M)

14N

5. INGRESS PROTECTION

EV IP 54

EV

6. EXECUTION

EA Dry

EA

7. OTHER OPTIONS

EO Dampening screw, Cu Alloy
G9 With Freon temperature scales
MF AISI 316 SS Bourdon tube & shank
TA 5 - point calibration certificate
TO Certification for Oxygen service
XF SS tag plate, AISI 304 SS
XR Custom designed dial
XT Dial tag marking

XX

Ordering Example : P906-10-XXX-B0-14N-EV-EA

NOTES

1. For other connections, please contact factory.

Rev 00

© 2015 ITEC All rights reserved. Technical changes and errors are expected.