

FEATURES

- Easy replacement
- Economical version
- Rigid & easy installation

APPLICATION

- Chemical applications
- OEM applications

Plastic Version

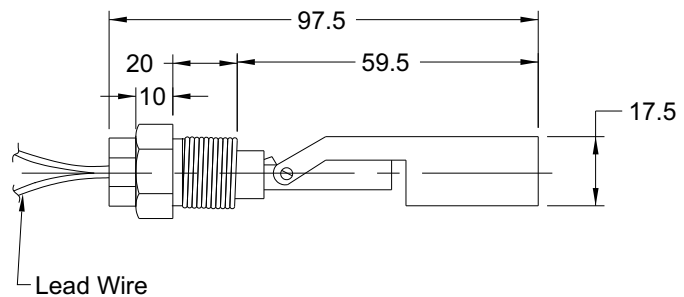


STANDARD SPECIFICATIONS

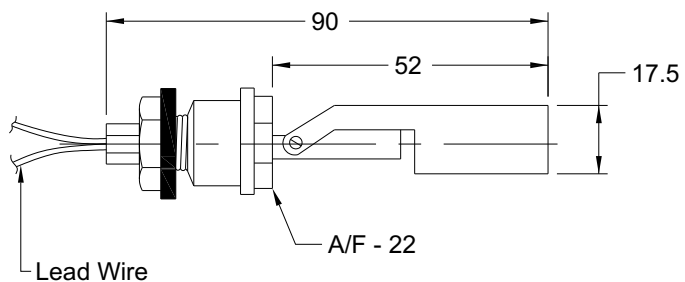
Process connection	:	Threaded
Material of Wetted parts	:	Polypropylene
Switch Type	:	Reed switch, 1 SPST
Switch Rating	:	0.5A / 240VAC or 0.5A / 200 VDC
Mounting	:	Top / Side
Float Material	:	Polypropylene
Switching points	:	Single
Max. Operating Temperature	:	20...80°C
Max. Operating Pressure	:	4 bar
Min. Specific Gravity	:	0.75

DIMENSIONAL DRAWING

Type 5

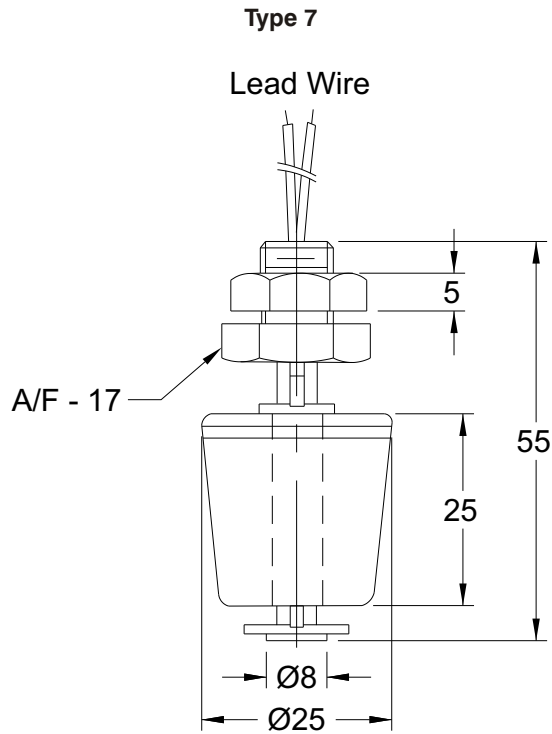


Type 6



All dimensions are in mm.

DIMENSIONAL DRAWING



All dimensions are in mm.

ORDERING CODES

1. BASIC MODEL

- H5 Type 5, Side mounting
- H6 Type 6, Side mounting
- H7 Type 7, Top mounting

H5

2. REED SWITCH TYPE

- LR0 1 SPST, 0.5 A / 230VAC or 0.5A / 200VDC

LR0

3. PROCESS CONNECTION

- 12B 1/4" BSP (M)
- 14B 1/2" BSP (M)

12B

Ordering Example : L302-H5-LR0-12B

NOTES:

- 1. For any special requirements, please contact factory.