

FEATURES

- Floating ring design
- Laser welded flush diaphragm
- Anti-vibration connectors

APPLICATION

- Paper & Pulp industries
- Isolation applications

Floating Ring

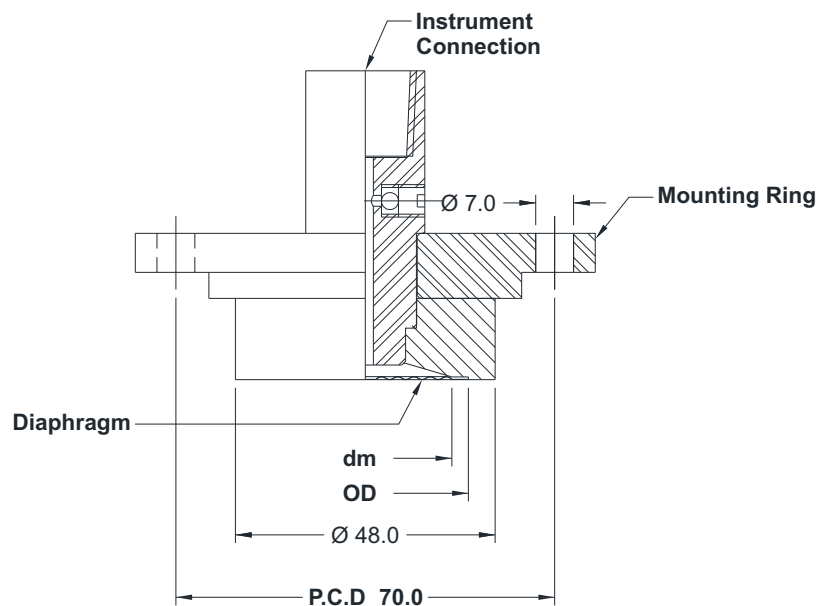


STANDARD SPECIFICATIONS

Range type	: 4...40 bar
Chamber & floating ring	: AISI 316 SS
Diaphragm	: AISI 316L SS
Gaskets	: PTFE
Instrument connection	: 1/2" NPT (F) / 1/2" BSP (F)
Sealing fluid	: Silicon DC 20 0 (-40...205°C)
Process connection	: Floating ring
Assembly	: Direct

DIMENSIONAL DRAWING

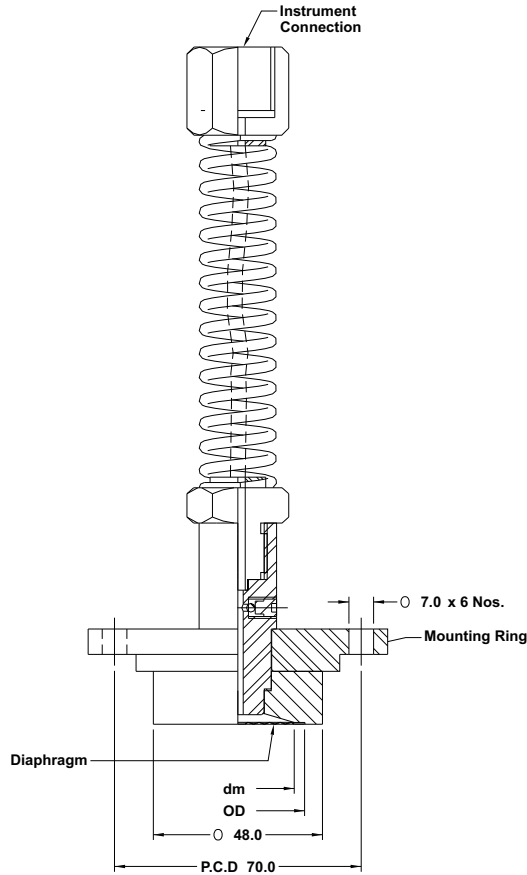
ASSEMBLY : B8



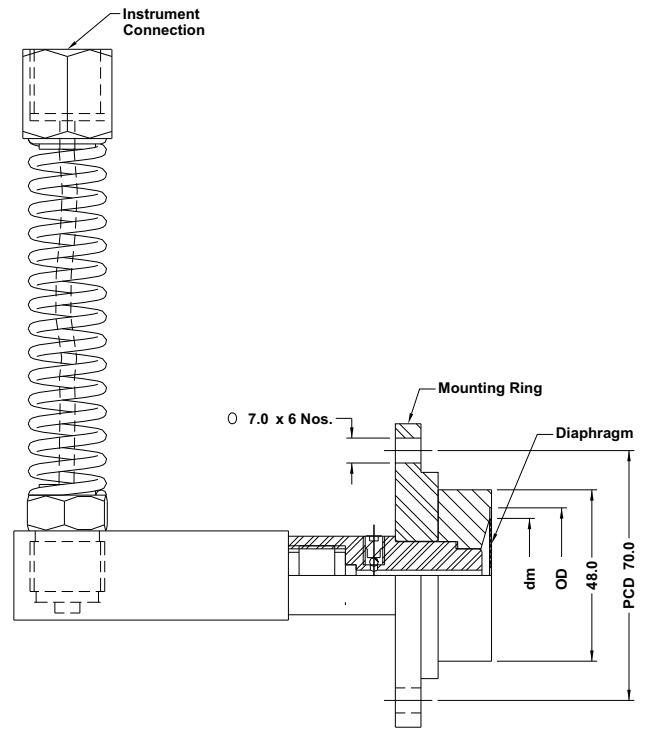
All dimensions are in mm.

DIMENSIONAL DRAWING

ASSEMBLY : B4



ASSEMBLY : B5



All dimensions are in mm.

ORDERING CODES

1. RANGE TYPE

S41 4...40 bar

S41

2. CHAMBER MATERIAL

LF AISI 316 SS

LG AISI 316L SS

LF

3. DIAPHRAGM MATERIAL

DG AISI 316L SS

DG

4. INSTRUMENT CONNECTION

03B 3/8" BSP (F)

04N 1/2" NPT (F)

02B 1/4" BSP (F)

04B 1/2" BSP (F)

02N 1/4" NPT (F)

04N

5. SEALING FLUID

OA Silicon DC 200 [-40°C to 205°C]

OF Food grade oil [-20°C to 140°C]

OA

6. ASSEMBLY

B4 Anti vibration spring - Straight

B5 Anti vibration spring - 90° Angular

B8 Direct

B8

7. OTHER OPTIONS

XZ Dry seal

HL Helium leak test

TM Material test certificate 2.2

TC Material test certificate 3.1

XX

Ordering Example : D401-S41-LF-DG-B4-04N-OA-B8

NOTES:

1. All metal diaphragms are laser welded to the Top Chamber.