

FEATURES

- Flushed diaphragm
- Exotic wetted parts with economic mounting flange
- Two-piece construction
- Optional flushing ring
- Instrument can be positioned 360°
- Replaceable wetted parts

APPLICATION

- Separation systems
- Isolation applications
- Viscous & corrosive media
- High-pressure applications
- High vibration application

Flushed, Rotatable Flange

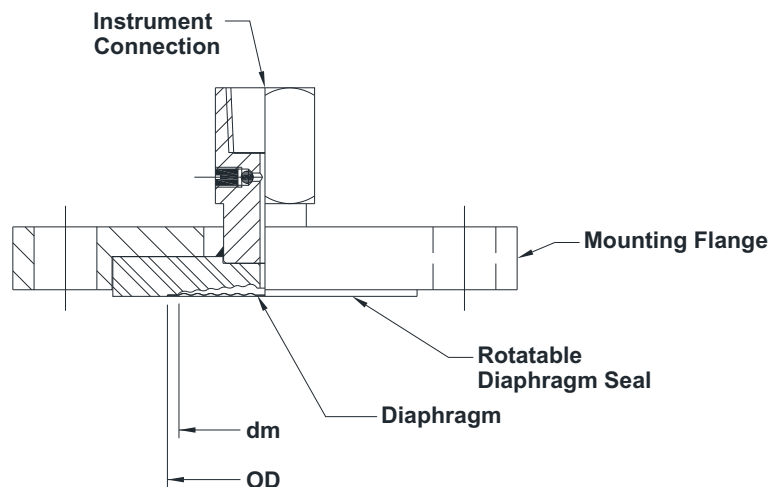


STANDARD SPECIFICATIONS

| | |
|-----------------------|--|
| Range type | : -1 ... 250 bar |
| Flange material | : ASTM A105 |
| Chamber material | : AISI 316 SS |
| Diaphragm | : AISI 316L SS |
| Instrument connection | : 1/2" NPT (F) / 1/2" BSP (F) |
| Sealing fluid | : Silicon DC 200 (-40...205°C) |
| Process connection | : Flange as per ANSI B16.5 / EN1092-1 / JIS B 2210 |
| Flange facing type | : Raised face |
| Assembly | : Direct |

DIMENSIONAL DRAWING

Type S49



All dimensions are in mm.

ORDERING CODES

1. RANGE TYPE

S49 -1...250 bar

S46

2. MOUNTING FLANGE MATERIAL

LB ASTM A105
 LC AISI 304 SS
 LF AISI 316 SS
 LG AISI 316L SS

LF

3. CHAMBER MATERIAL

LF AISI 316 SS
 LG AISI 316L SS
 LM Monel 400
 LO Hastelloy C-276
 LV Titanium
 LW Tantalum

LF

4. DIAPHRAGM MATERIAL

DG AISI 316L SS
 DM Monel 400
 DO Hastelloy C-276
 DV Titanium
 DW Tantalum

DG

5. INSTRUMENT CONNECTION

03B 3/8" BSP (F)
 04N 1/2" NPT (F)
 02B 1/4" BSP (F)
 04B 1/2" BSP (F)
 02N 1/4" NPT (F)

04N

6. SEALING FLUID

OA Silicon DC 200 [-40°C to 205°C]
 OF Food grade oil [-20°C to 140°C]
 OG Glycerine [10°C to 150°C]
 OI Syltherm 800 [-40°C to 315°C]
 OL Silicon DC 710 [7°C to 371°C]

OA

7. PROCESS CONNECTION

XXX Refer Flange Table for the codes

A25

8. FLANGE FACING

F Flat Face
 J Ring-Type Joint
 R Raised Face
 T Tongue and Groove (T&G)

R

9. PROTECTION ON WETTED PARTS

PC PTFE coating on diaphragm or wetted parts

XX

10. ASSEMBLY

B8 Direct
 B9 Remote

B8

11. CAPILLARY

OU AISI 304 SS
 OV AISI 316 SS

XX

12. ARMOUR

OX AISI 304 SS
 OY AISI 316 SS
 OZ PVC (Ambient max. 60°C)

XX

13. REMOTE MOUNTING LENGTH

XXXX 2000 mm up to 6000 mm

XXXX

14. OTHER OPTIONS

XZ Dry seal
 HL Helium leak test
 TM Material test certificate 2.2
 TC Material test certificate 3.1

XX

Ordering Example : D405-S46-LF-LF-DG-04N-OA-A25-R-XX-B8

MOUNTING KITS

Hardware Bolt/ Nut/ Washer
 Flanges Suitable mating type
 Gaskets Metal / Graphoil

NOTES:

- Other sealing liquids are available, contact factory for further details.
- All metal diaphragms are laser welded to the Top Chamber.