

FEATURES

- Diaphragm operated
- Compact design
- Isolated pressure chambers
- Static pressure up to 100 bar

APPLICATION

- Filtration plants
- Water applications
- Natural gas processing plant
- Pumps & Compressors
- Clean room applications

Diaphragm Operated



STANDARD PARAMETERS

Accuracy	:	± 2 % (Ascending)
Ambient temperature	:	-40...+65°C
Service temperature	:	80°C max.
Pressure limits	:	Steady pressure up to FS value, No over-pressure

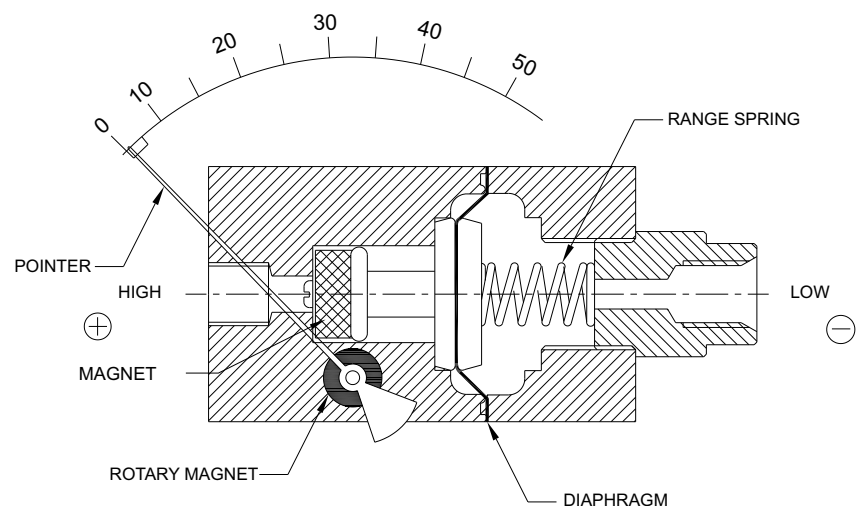
MATERIAL OF CONSTRUCTION

Sensing element	:	Diaphragm
Case	:	AISI 304 SS, Push-fit window
Body	:	AISI 316 SS
Dial	:	Aluminum, black graduation on white background
Pointer	:	Fix, aluminum, black powder coated
Window	:	Sheet glass

STANDARD SPECIFICATIONS

Dial size	:	DN63 / DN100 / DN150
Range	:	0...75 mbar up to 0...4 bar
Mounting pattern	:	In-line connection
Process connection	:	¼" NPT (F) X 2 Nos.
Ingress protection	:	IP 54
Execution	:	Dry

WORKING PRINCIPLE

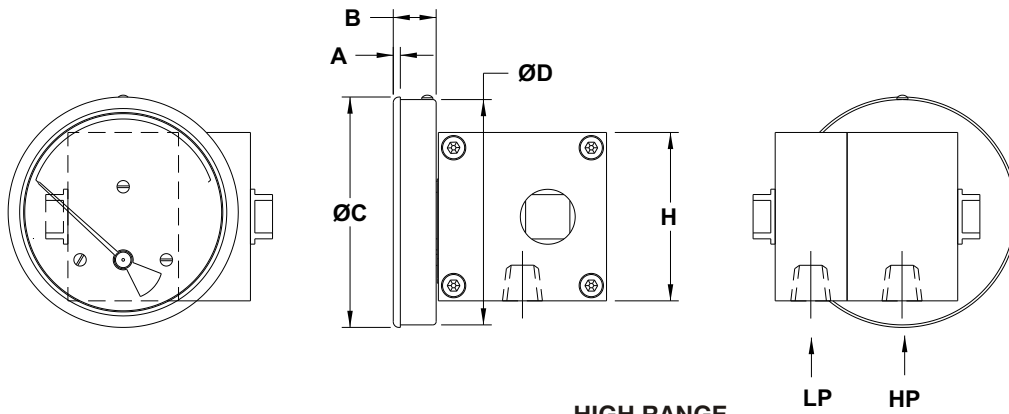


NOTES

1. First marking on the scale shall be 20% of FSD.

DIMENSIONAL DRAWING

Type B0



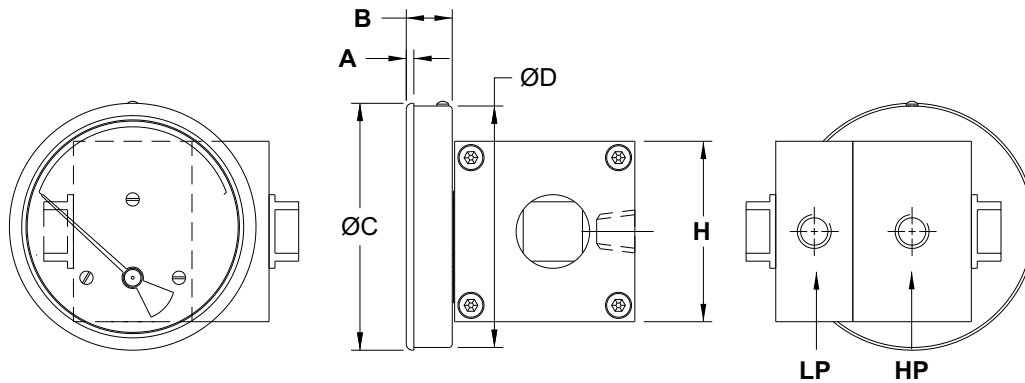
LOW RANGE

DN	A	B	ØC	ØD	E	H	Weight (grams)
63	2.4	18.6	66.5	63	A/F-20	76	710
100	3.2	19.5	104	102	A/F-20	76	760
150	3.2	19.5	155.5	151.5	A/F-20	76	860

HIGH RANGE

DN	A	B	ØC	ØD	E	H	Weight (grams)
63	2.4	18.6	66.5	63	A/F-20	50	710
100	3.2	19.5	104	102	A/F-20	50	760
150	3.2	19.5	155.5	151.5	A/F-20	50	860

Type R0



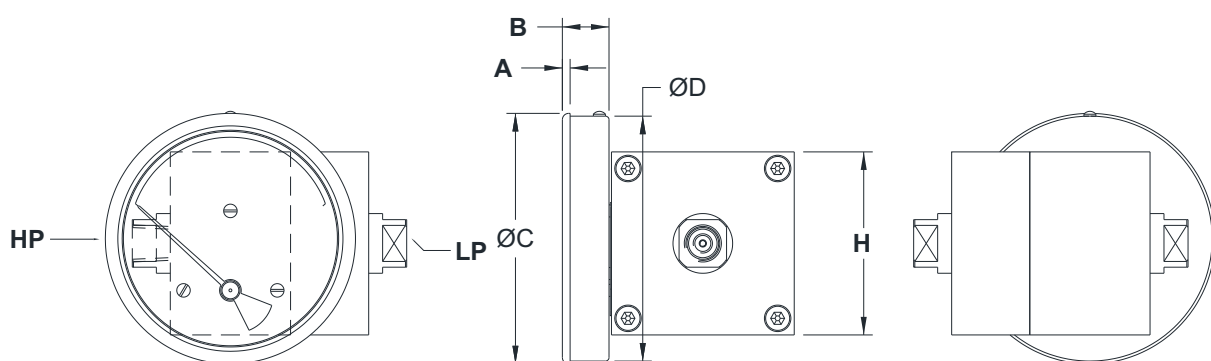
LOW RANGE

DN	A	B	ØC	ØD	E	H	Weight (grams)
63	2.4	18.6	66.5	63	A/F-20	76	710
100	3.2	19.5	104	102	A/F-20	76	760
150	3.2	19.5	155.5	151.5	A/F-20	76	860

HIGH RANGE

DN	A	B	ØC	ØD	E	H	Weight (grams)
63	2.4	18.6	66.5	63	A/F-20	50	710
100	3.2	19.5	104	102	A/F-20	50	760
150	3.2	19.5	155.5	151.5	A/F-20	50	860

Type X0



DN	A	B	ØC	ØD	E	H	Weight (grams)
63	2.4	18.6	66.5	63	A/F-20	76	700
100	3.2	19.5	104	102	A/F-20	76	750
150	3.2	19.5	155.5	151.5	A/F-20	76	850

All dimensions are in mm.

ORDERING CODES

1. DIAL SIZE

25	63 mm / 2½"
04	100 mm / 4"
06	150 mm / 6"

25

2. RANGE

XXX	Refer "Range Table"
------------	---------------------

XXX

3. MOUNTING PATTERN

B0	Direct Bottom connection
B2	2" Pipe/Yoke mounting
R0	Direct Back connection
X0	In-line connection

X0

4. PROCESS CONNECTION

02B	¼" BSP (F) X 2 Nos.
02N	¼" NPT (F) X 2 Nos.

02N

5. INGRESS PROTECTION

EV	IP 54
-----------	-------

EV

6. EXECUTION

EA	Dry
-----------	-----

EA

7. OTHER OPTIONS

TB	Calibration certificate
XG	SS tag plate, AISI 316 SS
XF	SS tag plate, AISI 304 SS
XR	Custom designed dial
XT	Dial tag marking
GW	Maximum Reading pointer
B7	With 3-Hole front panel

XX

Ordering Example : P402-25-XXX-X0-02N-EV-EA

NOTES

1. For other connections, please contact factory.