

FEATURES

- Economical version
- General purpose
- Compact case
- Dry execution

APPLICATION

- HVAC & FLR Units
- Valve positioners
- Water & Air applications
- Allied process industries

Economical



STANDARD PARAMETERS

Accuracy	:	CL 1.6 (DN63, DN80, DN100, DN150 & DN250)
	:	CL 2.5 (DN25, DN40 & DN50)
Ambient temperature	:	-30...+65°C
Service temperature	:	150°C max.
Pressure limits	:	Steady pressure up to 75% of FS value
	:	Short time 1.3 x FS value for range up to 100 bar
	:	Short time 1.15 x FS value for ranges 100 up to 600 bar
	:	Short time 1.1 x FS value for ranges above 600 bar
Joints	:	Silver alloy brazing / soldering

MATERIAL OF CONSTRUCTION

Sensing element	:	Bourdon Tube (<100 bar : C - type , >100 bar : Helical)
Case & Ring material	:	Steel, powder coated / painted (Push fit type)
Bourdon tube & Shank	:	Phosphor Bronze
Movement mechanism	:	Copper Alloy
Dial	:	Aluminum, black graduation on white background
Pointer	:	Fixed, aluminum, black powder coated
Window	:	Sheet glass

STANDARD SPECIFICATIONS

Dial size	:	DN25 / DN40 / DN50 / DN63 / DN80 / DN100 / DN150 & DN250
Range	:	-1...70 bar (DN40), -1...400 bar (DN50 / DN63 / DN80)
	:	-1...700 bar (≥DN100)
Mounting pattern	:	Direct, Bottom connection
Process connection	:	1/4" NPT (M) / 1/4" BSP (M)
Execution	:	Dry

TEMPERATURE EFFECT

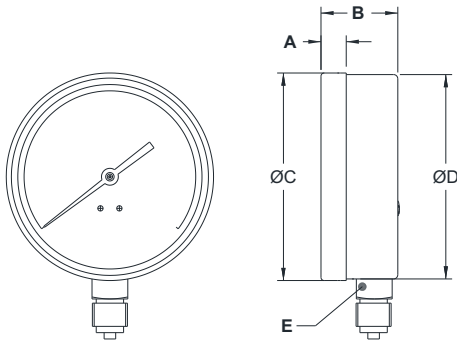
When temperature of the measuring system deviates from reference temperature (+20°C) max error $\pm 0.4\%$ / 10K of true scale value.

REFERENCE

EN 837-1

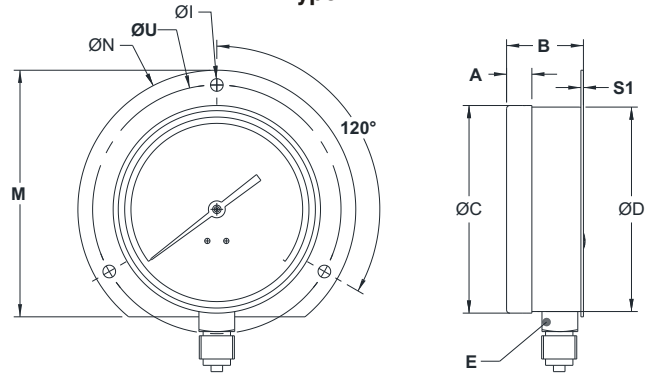
DIMENSIONAL DRAWING

Type B0



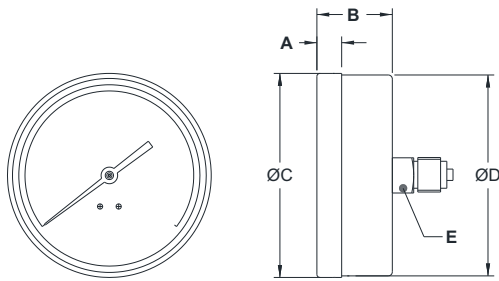
DN	A	B	ØC	ØD	E	Weight (grams)
40	10	26.5	44	42	12	65
50	10	29	53	52	14	90
63	12	29	63	62	14	175
80	12	35	78	76	14	450
100	12	37	98.5	97	17	466
150	16	43	155	154	17	860
250	37.5	51	252	249	22	2060

Type B1



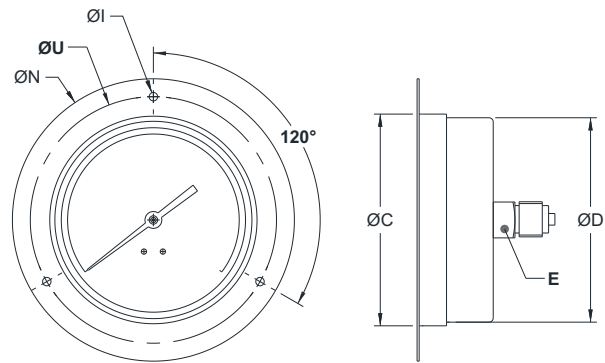
DN	A	B	ØC	ØD	E	ØI	M	ØN	S	ØU	Weight (grams)
63	12	29	63	62	14	5	80	88	5	76	220
80	12	35	78	76	14	5	100	115	5	98	510
100	12	37	98.5	97	17	6	117	132	1.2	118	541
150	16	43	155	154	17	-	181	195.5	7	-	970
250	37.5	51	252	249	22	-	280	288.5	8	-	2210

Type R0



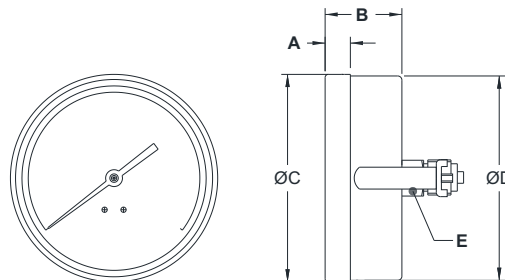
DN	A	B	ØC	ØD	E	Weight (grams)
40	10	26.5	44	42	12	65
50	10	29	53	52	14	90
63	12	29	63	62	14	175
80	12	35	78	76	14	450
100	12	37	98.5	97	17	466
150	16	43	155	154	17	860

Type R2



DN	A	B	ØC	ØD	E	ØI	ØN	ØU	Weight (grams)
50	10	29	53	52	14	4	90	71	130
63	12	29	63	62	14	4	90	76	215
100	12	37	98.5	97	17	4	134	117	540
150	16	43	155	154	17	5	184	170	976

Type R3



DN	A	B	ØC	ØD	E	Weight (grams)
63	12	29	63	62	14	315
80	12	35	78	76	14	500
100	12	37	98.5	97	17	556
150	16	43	155	154	17	1026
250	37.5	51	252	249	22	2270

All dimensions are in mm.

ORDERING CODES

1. DIAL SIZE

01	25 mm / 1"
15	40 mm / 1½"
02	50 mm / 2"
25	63 mm / 2½"
03	80 mm / 3"
04	100 mm / 4"
06	150 mm / 6"
10	250 mm / 10"

25

2. RANGE

XXX	Refer "Range Table"
-----	---------------------

XXX

3. MOUNTING PATTERN

B0	Direct, Bottom connection
B1	Wall/Surface/Projection mounting, Bottom connection
R0	Centre, Back connection
R2	Panel/Front flange mounting, Centre Back connection
R3	Panel/bracket mounting, Centre Back connection

B0

4. PROCESS CONNECTION

11N	1/8" NPT (M)
12N	¼" NPT (M)
14N	½" NPT (M)
11B	1/8" BSP (M)
12B	¼" BSP (M)
13B	3/8" BSP (M)
14B	½" BSP (M)

12N

5. INGRESS PROTECTION

EV	IP 54
----	-------

EV

6. EXECUTION

EA	Dry
----	-----

EA

7. OTHER OPTIONS

EO	Dampening screw, Cu Alloy
EZ	Pointer stop on dial
XR	Custom designed dial
XT	Dial tag marking
TA	5 - point calibration certificate
TO	Certification for Oxygen service
G9	With Freon temperature scales
XF	SS tag plate, AISI 304 SS

XX

Ordering Example : P901-25-XXX-B0-12N-EV-EA

Dial size	Mounting pattern					11N/B	Process connection		
	B0	B1	R0	R2	R3		12N/B	14N/B	13B
01			•			•			
15	•		•			•			
02	•		•			•	•		
25	•	•	•	•	•	•	•		
03	•	•	•	•	•	•	•		
04	•	•	•	•	•	•	•		•
06	•	•	•	•	•	•	•		•
10	•	•						•	•

NOTES

- For other connections, please contact factory.
- Option XT for DN100 and above