

FEATURES

- Back seating to prevent stem blow-out
- Tube end connections

APPLICATION

- High pressure line shut off
- Instrument isolation
- Liquid & gas services

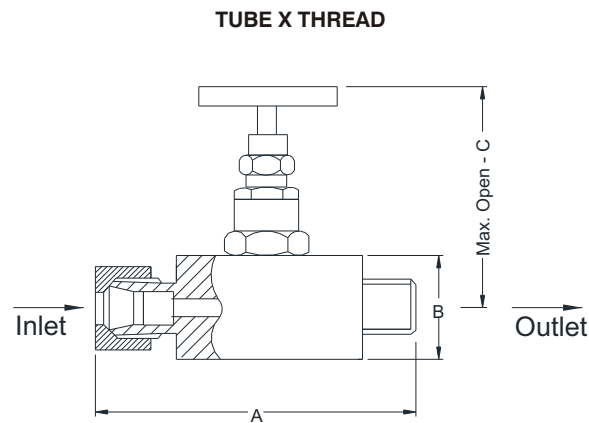
Compression Fitting End



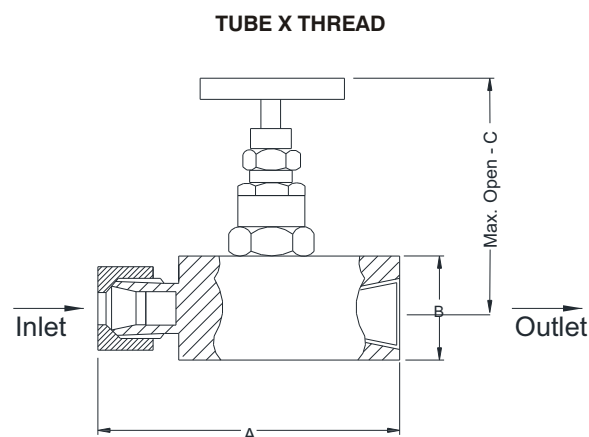
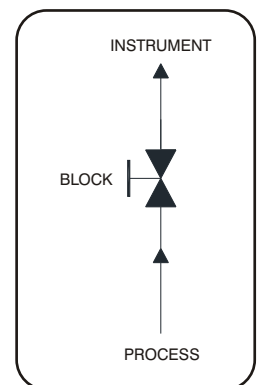
STANDARD SPECIFICATIONS

Stem type	: Hard seated stem
Wetted parts	: AISI 316 SS
Instrument connection	: 6 mm compression fitting
Stem packing	: PTFE
Process connection	: 6 mm compression fitting
Stem	: Conical metal tip
Max. working pressure	: 413.7 bar (6000 psi)
Max. working temperature	: 240°C
"T" bar handle	: AISI 304 SS

DIMENSIONAL DRAWING

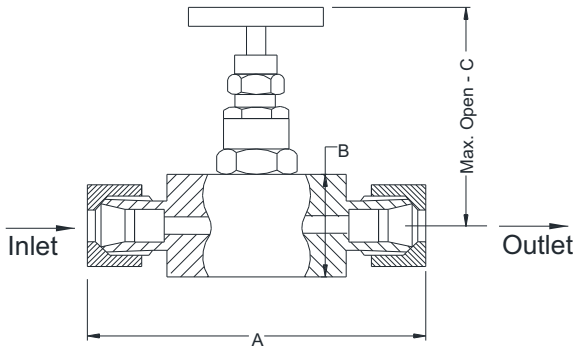


FLOW DIAGRAM



DIMENSIONAL DRAWING

TUBE X TUBE



Connections	Length A	Width B	Max. open - C Stem Type		
			HS	SS	RP
6M x 6M	65	25	63	64.5	63.5
8M x 8M	65	25	63	64.5	63.5
10M x 10M	65	25	63	64.5	63.5
12M x 12M	65	32	83.6	94	93.5
1/4" OD x 1/4" NPT (F)	65	25	63	64.5	63.5
3/8" OD x 3/8" NPT (F)	65	25	63	64.5	63.5
1/2" OD x 1/2" NPT (F)	65	32	83.6	94	93.5
1/4" OD OR 6M x 1/4" NPT (M)	65	25	63	64.5	63.5
8M x 1/4" NPT (M)	65	25	63	64.5	63.5
3/8" OD or 10M x 3/8" NPT (M)	65	25	63	64.5	63.5
1/2" OD or 12M x 1/2" NPT (M)	72	32	83.6	94	93.5

All dimensions are in mm

ORDERING CODES

1. STEM TYPE

- HS** Hard seated stem (Metal)
- SS** Soft seated stem (Derlin)
- RP** Rising plug stem (Derlin)

HS

2. WETTED PARTS

- MB** Carbon Steel / ASTM A105
- MC** AISI 304 SS
- MF** AISI 316 SS
- MG** AISI 316L SS
- MM** Monel 400
- MN** Monel K-500
- MO** Hastelloy C-276

MF

3. INSTRUMENT CONNECTION

- M6** 6 mm compression fitting
- M8** 8 mm compression fitting
- M1** 10 mm compression fitting
- M2** 12 mm compression fitting
- T2** 1/4" compression fitting
- T3** 3/8" compression fitting
- T4** 1/2" compression fitting
- 12N** 1/4" NPT (M)
- 14N** 1/2" NPT (M)
- 12B** 1/4" BSP (M)
- 13B** 3/8" BSP (M)
- 14B** 1/2" BSP (M)
- 02N** 1/4" NPT (F)
- 04N** 1/2" NPT (F)
- 02B** 1/4" BSP (F)
- 04B** 1/2" BSP (F)

M6

4. STEM PACKING

- P** PTFE
- G** Grafoil

P

5. PROCESS CONNECTION

- M6** 6 mm compression fitting
- M8** 8 mm compression fitting
- M1** 10 mm compression fitting
- M2** 12 mm compression fitting
- T2** 1/4" compression fitting
- T3** 3/8" compression fitting
- T4** 1/2" compression fitting
- 12N** 1/4" NPT (M)
- 14N** 1/2" NPT (M)
- 12B** 1/4" BSP (M)
- 13B** 3/8" BSP (M)
- 14B** 1/2" BSP (M)
- 02N** 1/4" NPT (F)
- 04N** 1/2" NPT (F)
- 02B** 1/4" BSP (F)
- 04B** 1/2" BSP (F)

M6

6. OTHER OPTIONS

- XY** Circular Handle
- TN** Tested to NACE standards
- TO** Certification for Oxygen service
- TM** Material test certificate 2.2
- TH** Hydro test certificate
- TC** Material test certificate 3.1
- XL** Marking by laser

XL

Ordering Example : V203-HS-MF-M6-P-M6-XL

NOTES:

- Other connections are available, please contact factory for details.
- Valve stem dust covers shall be identified with color codes according to their function as ; Blue = ISOLATE