

FEATURES

- Compact & Economical
- Field adjustable set point
- Scale provided
- Auto Reset

APPLICATION

- Compressors
- Textile machines
- Chillers & Air dryers
- Fire fighting systems
- Water treatment plants
- Refrigeration applications

General Purpose



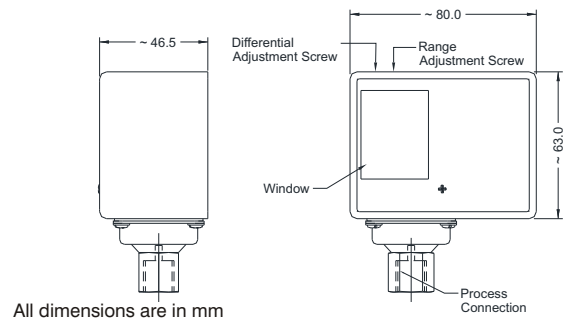
STANDARD SPECIFICATIONS

| | | |
|-----------------------------|---|-----------------------------------|
| Repeatability | : | ± 2% F.S |
| Scale Accuracy | : | ± 3 % F.S |
| Measurement unit | : | bar / psi |
| Range | : | Refer "Range Table" |
| Differential | : | Adjustable, external |
| Mounting | : | Bottom / Panel |
| Enclosure Material | : | Steel (plated) with Plastic cover |
| Sensing Elements | : | Phosphor Bronze Bellow |
| Switch | : | 1 SPDT |
| Switch Rating | : | 15A,220 VAC / 10A,24 VDC |
| Process Connection | : | 1/4" BSP (F) |
| Maximum Process Temperature | : | 100 °C |
| Ambient Temperature | : | -10...60 °C |
| Mounting Accessories | : | Mounting bracket with Screws |
| Set point | : | External, field adjustable |

RANGE TABLE

| CODE | Range "bar" | Differential "bar" |
|------|----------------|-----------------------|
| N47 | -0.5...3 | 0.25...1.5 |
| N07 | -0.5...6 | 0.6...3 |
| N09 | 0...10 | 1...3 |
| N11 | 3...16 | 1...4 |
| N12 | 5...20 | 2...5 |
| N14 | 5...30 | 5...12 |

DIMENSIONAL DRAWING



ORDERING CODES

1. RANGE

Refer "Range Table"

2. CONNECTION¹

| | | | |
|------------|--------------|------------|--------------|
| 12B | 1/4" BSP (M) | 13B | 3/8" BSP (M) |
| 14B | 1/2" BSP (M) | 12N | 1/4" NPT (M) |
| 13N | 3/8" NPT (M) | 14N | 1/2" NPT (M) |

3. OTHER OPTIONS

| | | | |
|-----------|-------------------------|-----------|-----------------------|
| TB | Calibration Certificate | XF | AISI 304 SS tag plate |
|-----------|-------------------------|-----------|-----------------------|

B09

02B

XX

APPROVALS



Ordering Example : S101-N09-02B

NOTES:

1. Connections are through adaptors.
2. The cover color shall be Blue or White depending upon availability.
3. The ranges mentioned here are standard and available in these ranges only.