

FEATURES

- Diaphragm operated
- Compact design
- Isolated pressure chambers
- Static pressure up to 100 bar
- Isolated switch assembly

APPLICATION

- Filtration plants
- Water applications
- Natural gas processing plant
- Pumps & Compressors
- Clean room applications

Indicating Switch



STANDARD PARAMETERS

Accuracy	: ± 2 % (Ascending)
Ambient temperature	: -40... +65°C
Service temperature	: 80°C max.
Pressure limits	: Steady pressure up to FS value, No over-pressure

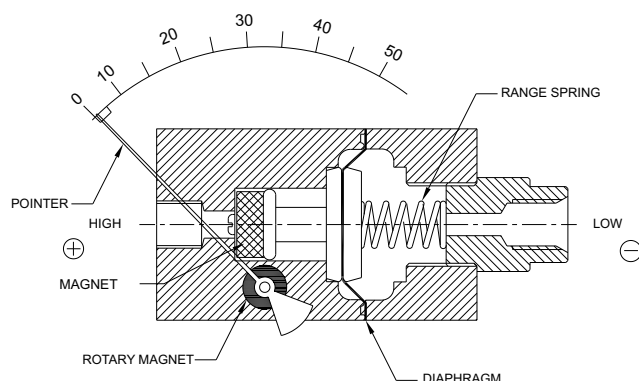
MATERIAL OF CONSTRUCTION

Sensing element	: Diaphragm, Ceramic Magnet & SS spring
Case	: AISI 304 SS, Push-fit window
Body	: AISI 316 SS
Dial	: Aluminum, black graduation on white background
Pointer	: Fix, aluminum, black powder coated
Window	: Sheet glass
Switch enclosure	: Die-cast aluminum
Switch type	: Reed switch

STANDARD SPECIFICATIONS

Dial size	: DN63 / DN100 / DN150
Range	: 0...75 mbar up to 0...4 bar
Mounting pattern	: Direct bottom connection
Process connection	: 1/4" NPT (F) X 2 Nos.
Ingress protection (Gauge)	: IP 54
Ingress protection (Switch enclosure)	: ATEX & FM approved Ex class I, II & III : NEMA 4X, IP66, IP67
Execution	: Dry
Switch	: 1 SPST
Switch rating	: 230VAC/0.5A

WORKING PRINCIPLE



NOTES

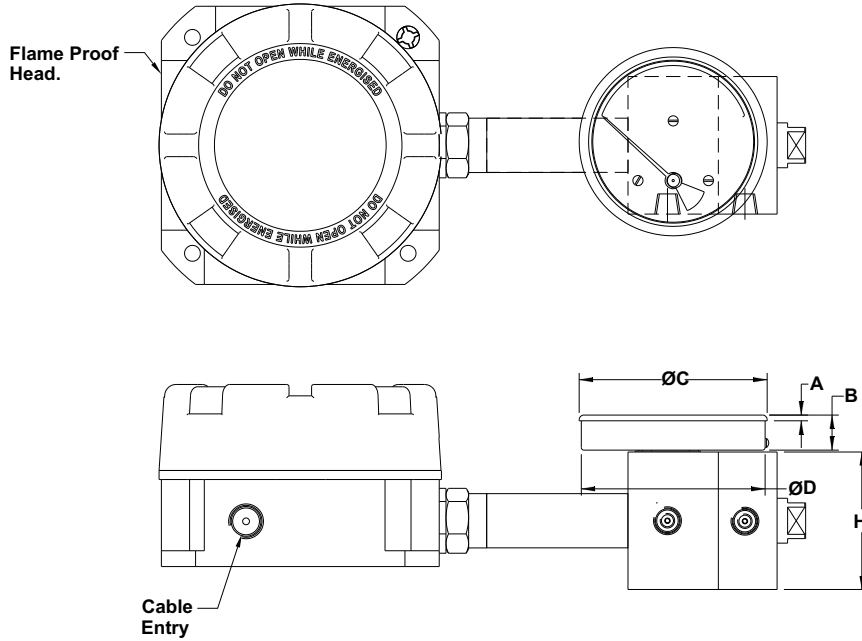
1. First marking on the scale shall be 20% of FSD.

APPROVALS



DIMENSIONAL DRAWING

Type B0



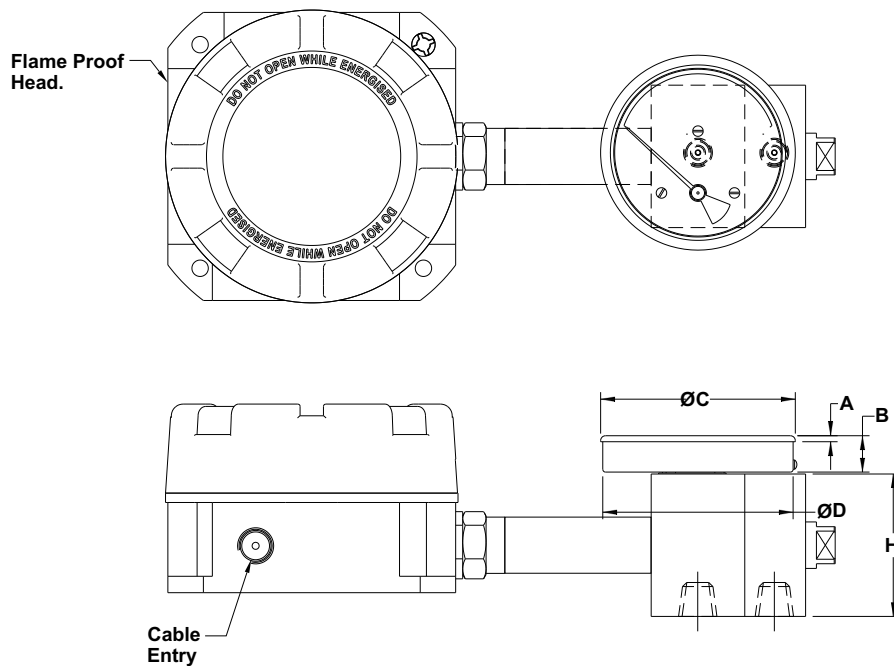
LOW RANGE

DN	A	B	$\varnothing C$	$\varnothing D$	E	H	Weight (grams)
63	2.4	18.6	66.5	63	A/F-20	76	710
100	3.2	19.5	104	102	A/F-20	76	760
150	3.2	19.5	155.5	151.5	A/F-20	76	860

HIGH RANGE

DN	A	B	$\varnothing C$	$\varnothing D$	E	H	Weight (grams)
63	2.4	18.6	66.5	63	A/F-20	50	710
100	3.2	19.5	104	102	A/F-20	50	760
150	3.2	19.5	155.5	151.5	A/F-20	50	860

Type R0



LOW RANGE

DN	A	B	$\varnothing C$	$\varnothing D$	E	H	Weight (grams)
63	2.4	18.6	66.5	63	A/F-20	76	710
100	3.2	19.5	104	102	A/F-20	76	760
150	3.2	19.5	155.5	151.5	A/F-20	76	860

HIGH RANGE

DN	A	B	$\varnothing C$	$\varnothing D$	E	H	Weight (grams)
63	2.4	18.6	66.5	63	A/F-20	50	710
100	3.2	19.5	104	102	A/F-20	50	760
150	3.2	19.5	155.5	151.5	A/F-20	50	860

All dimensions are in mm.

ORDERING CODES

1. DIAL SIZE

25	63 mm / 2½"
04	100 mm / 4"
06	150 mm / 6"

04

2. RANGE

XXX	Refer "Range Table"
------------	---------------------

XXX

3. MOUNTING PATTERN

B0	Direct Bottom connection
B2	2" Pipe/Yoke mounting
R0	Centre Back connection

B0

4. PROCESS CONNECTION

02B	¼" BSP (F) X 2 Nos.
02N	¼" NPT (F) X 2 Nos.

02N

5. INGRESS PROTECTION

ER	IP 65
-----------	-------

EV

6. EXECUTION

EA	Dry
-----------	-----

EA

7. OTHER OPTIONS

TB	Calibration certificate
XG	SS tag plate, AISI 316 SS
XF	SS tag plate, AISI 304 SS
XR	Custom designed dial
XT	Dial tag marking
GW	Maximum Reading pointer
LR0	1 SPST Reed switch
LR1	1 SPDT Reed switch

LR0

Ordering Example : P403-04-XXX-B0-02N-EV-EA-LR0

NOTES

1. For other connections, please contact factory.