

FEATURES

- Solid bar-stock drilled design
- 3 different shank styles
- Compression end process connection

APPLICATION

- Air & flue gas
- Tanks & vessels
- Oil & Gas applications
- Corrosive environments
- Power & Steel industries
- HVAC, Air filters & utilities
- On-shore/Off-shore application

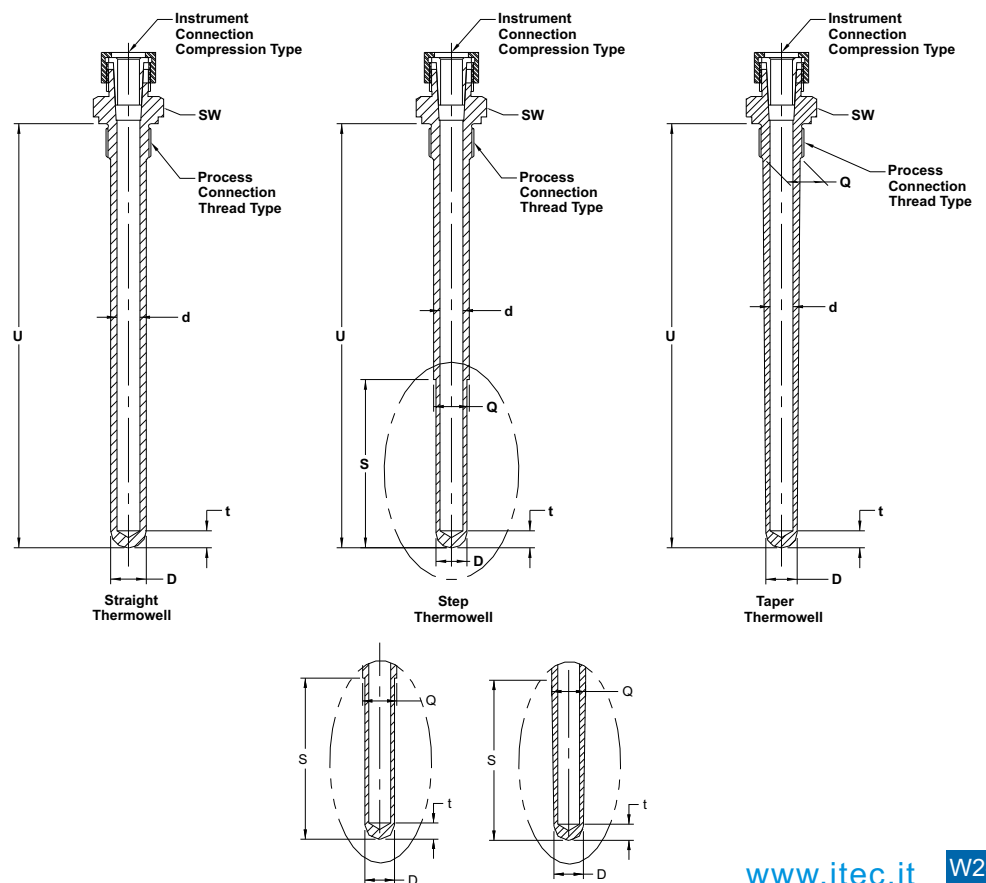
Bar-stock



STANDARD SPECIFICATIONS

Shank form	:	Tapered
Material	:	AISI 316 SS
Instrument connection	:	Nut with Compression ferrule
Bore diameter	:	6.6 mm
Lag extension	:	50 mm
Root diameter	:	21.0 mm
Tip diameter	:	16.0 mm
Immersion length	:	300 mm
Step / Taper Length	:	100 mm
Tip thickness	:	5 mm
Process connection	:	3/4" NPT (M)
Head type	:	Hex
Head size	:	36 mm

DIMENSIONAL DRAWING



ORDERING CODES

1. SHANK FORM

S	Straight
E	Stepped
T	Tapered

S

2. MATERIAL

MB	Carbon Steel / ASTM A105
MC	AISI 304SS
ME	AISI 310 SS
MF	AISI 316 SS
MG	AISI 316L SS
MM	Monel 400
MN	Monel K-500
MO	Hastelloy C-276
MQ	Inconel 600
MR	Inconel 625
MS	Inconel 800
MT	Inconel 825
MV	Titanium
MY	Alloy 20
M6	AISI 446 SS
MI	AISI 321 SS

MB

3. INSTRUMENT CONNECTION

Nut with Compression ferrule
Size as per customer requirement.

4. BORE DIAMETER ("d")

A	6.6 mm
B	7.0 mm
C	9.0 mm
D	9.6 mm
F	11 mm
G	13 mm

A

5. LAG EXTENSION ("T")

XXX 35 mm up to 250 mm

XXX

6. ROOT DIAMETER ("Q")

XX.X Mention in 'mm'

XX.X

7. TIP DIAMETER ("D")

XX.X Mention in 'mm'

XX.X

8. IMMERSION LENGTH ("U")

XXXX 50 mm up to 1000 mm

XXXX

9. STEP / TAPER LENGTH ("S")

XXX Mention in 'mm'

XXX

10. TIP THICKNESS ("t")

M	5 mm
N	6.35 mm (1/4")
O	10 mm

M

11. PROCESS CONNECTION

14N	1/2" NPT (M)
15N	3/4" NPT (M)
16N	1" NPT (M)
17N	1.5" NPT (M)
18N	2" NPT (M)
14B	1/2" BSP (M)
15B	3/4" BSP (M)
16B	1" BSP (M)
17B	1.5" BSP (M)
18B	2" BSP (M)

14N

12. HEAD TYPE

H	Hex
L	Round with spanner slot

H

13. HEAD SIZE

XX Mention in 'mm'

XX

14. OTHER OPTIONS

XI	Plug & chain in SS
XK	Electro polishing
XL	Marking by laser
XM	Marking by engraving
TC	Material test certificate 3.1
TH	Hydro test certificate
TM	Material test certificate 2.2
TN	Tested to NACE standards

XM

Ordering Example : W206-S-MB-A-XXX-XX.X-XX.X-XXXX-XXX-M-14N-H-XX-XM

NOTES:

1. Other bore diameter and process connections contact factory.