

## FEATURES

- Mineral insulated
- Spring loaded design
- SS base plate for transmitter mounting

## APPLICATION

- Spares / Replacements

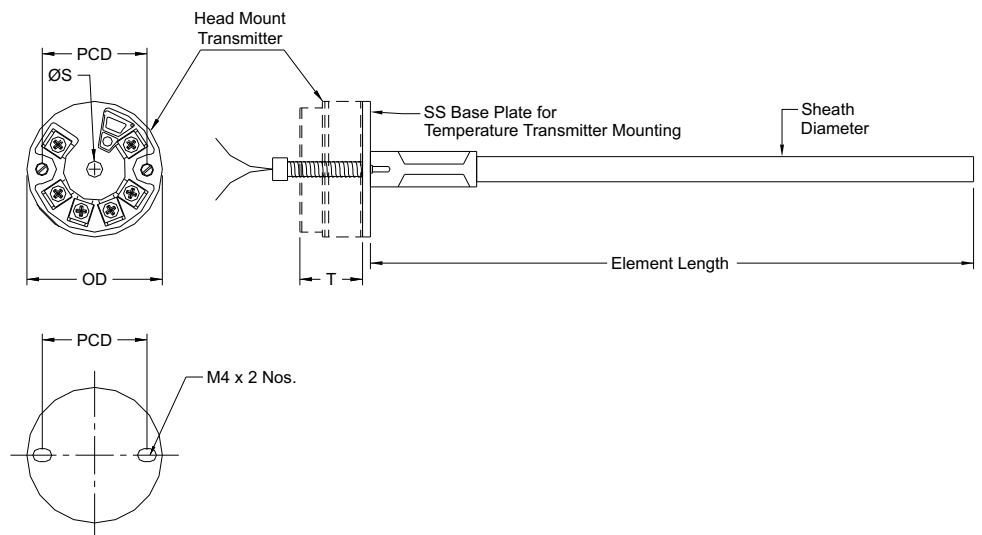
### SS Base Plate For Transmitter



### STANDARD SPECIFICATIONS

Element	:	Type K (NiCr-Ni)
Accuracy	:	Standard to ISA & ANSI MC96.1
No. of sensors	:	Simplex
Hot junction	:	Ungrounded
Sheath material	:	AISI 316 SS
Sheath diameter	:	6.0 mm
Cold-end termination	:	Spring loaded SS base plate for transmitter mounting (OD = 41 mm, PCD = 33 mm)
Total length	:	150 mm

### DIMENSIONAL DRAWING



## REFERENCE

IEC-584.2 / ANSI MC-96.1

## ORDERING CODES

### 1. ELEMENT

<b>K</b>	Type K (NiCr-Ni)
<b>J</b>	Type J (Fe-CuNi)
<b>N</b>	Type N (NiCrSi-NiSi)
<b>E</b>	Type E (NiCr-CuNi)
<b>T</b>	Type T (Cu-CuNi)
<b>R</b>	Type R (Pt-13%Rh/Pt)
<b>S</b>	Type S (Pt-10%Rh/Pt)
<b>B</b>	Type B (Pt/30%Rh-Pt/6%Rh)

**K**

### 2. ACCURACY

<b>P</b>	Standard
<b>Q</b>	Special

**P**

### 3. NO. OF SENSORS

<b>V</b>	Simplex
<b>W</b>	Duplex
<b>X</b>	Triplex

**V**

### 4. HOT JUNCTION

<b>G</b>	Grounded
<b>U</b>	Ungrounded

**U**

### 5. SHEATH MATERIAL

<b>MF</b>	AISI 316 SS
<b>MG</b>	AISI 316L SS
<b>ME</b>	AISI 310 SS
<b>MQ</b>	Inconel 600

**MF**

### 6. SHEATH DIAMETER

<b>M30</b>	3.0 mm
<b>M50</b>	5.0 mm
<b>M60</b>	6.0 mm
<b>M80</b>	8.0 mm

**M60**

### 7. COLD-END TERMINATION

<b>X4</b>	SS base plate, spring loaded Ø41mm / PCD33mm
<b>X5</b>	SS base plate, spring loaded Ø55mm / PCD46mm

**X4**

### 8. ELEMENT LENGTH (EL)

<b>XXXXX</b>	50 mm up to 10,000 mm
--------------	-----------------------

**150**

### 9. OTHER OPTIONS

<b>TB</b>	Calibration Certificate
<b>XF</b>	Tag plate, AISI 304 SS

**XX**

**Ordering Example : T208-K-P-V-U-MF-M60-X4-150**

**NOTES:**

1. Other sheath diameters, connections are available, please contact factory for details.