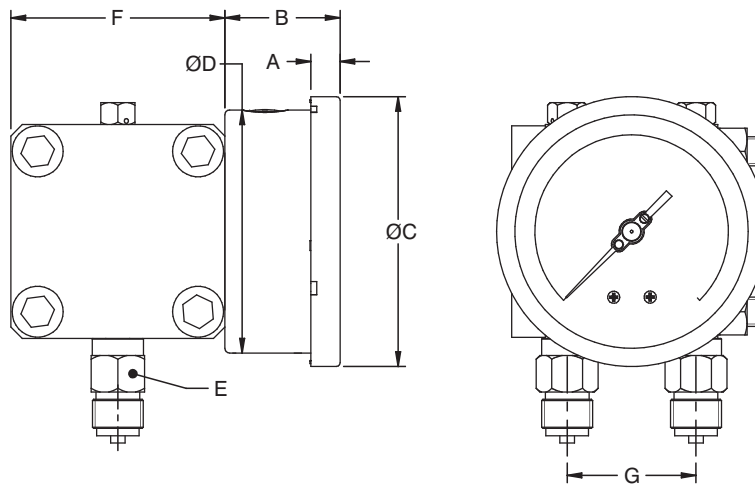


STANDARD SPECIFICATIONS : DAMPENING LIQUID FILLED, GLYCERIN

Accuracy	:	CL 2.5
Window	:	Shatterproof safety glass
Dampening liquid	:	Glycerin 99.7%

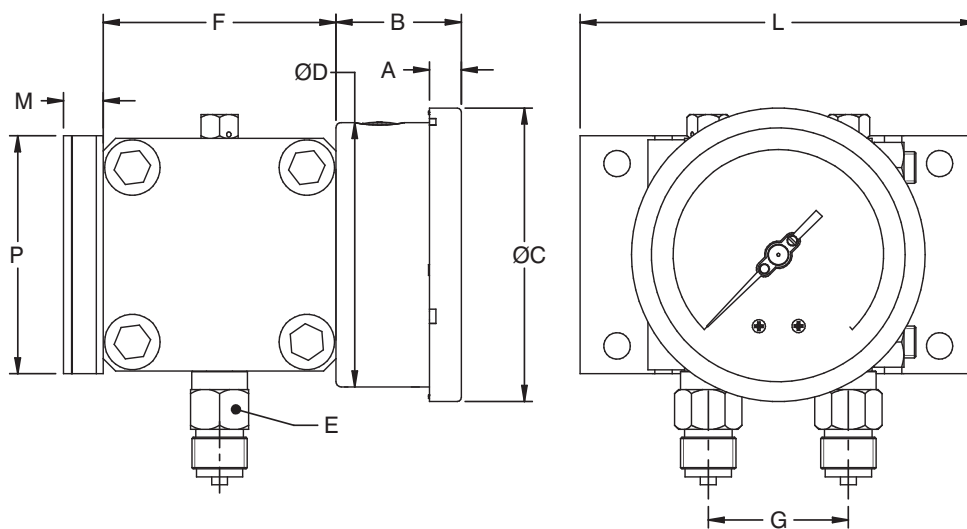
DIMENSIONAL DRAWING

Type B0



DN	A	B	ØC	ØD	E	F	G	Weight (grams)
100	12	48	111	100	A/F22	SQ.88	54	4600
150	15	48	161	149	A/F22	SQ.88	54	4993

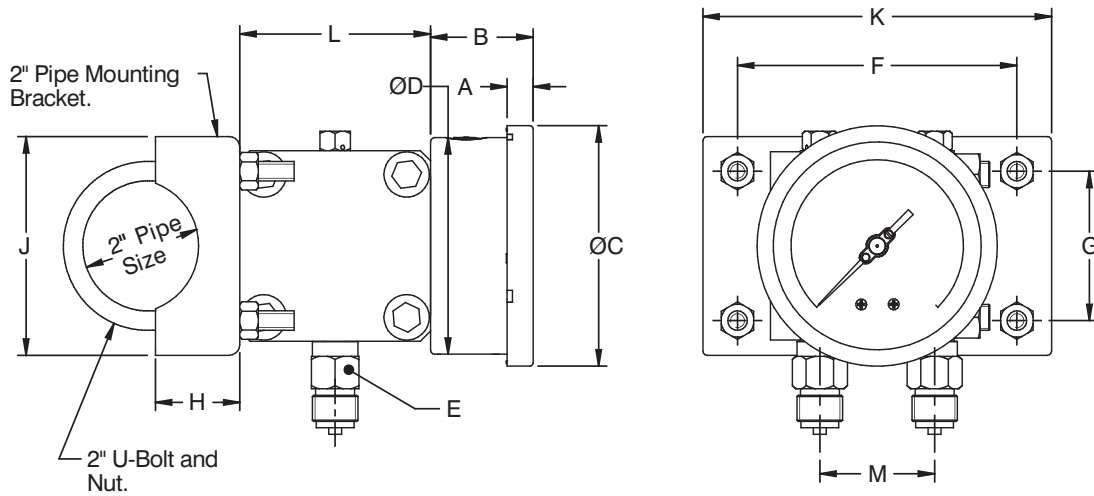
Type B1



DN	A	B	ØC	ØD	E	F	G	L	M	P	Weight (grams)
100	12	48	111	100	A/F22	SQ.88	54	150	15	90	4941
150	15	48	161	149	A/F22	SQ.88	54	150	15	90	5334

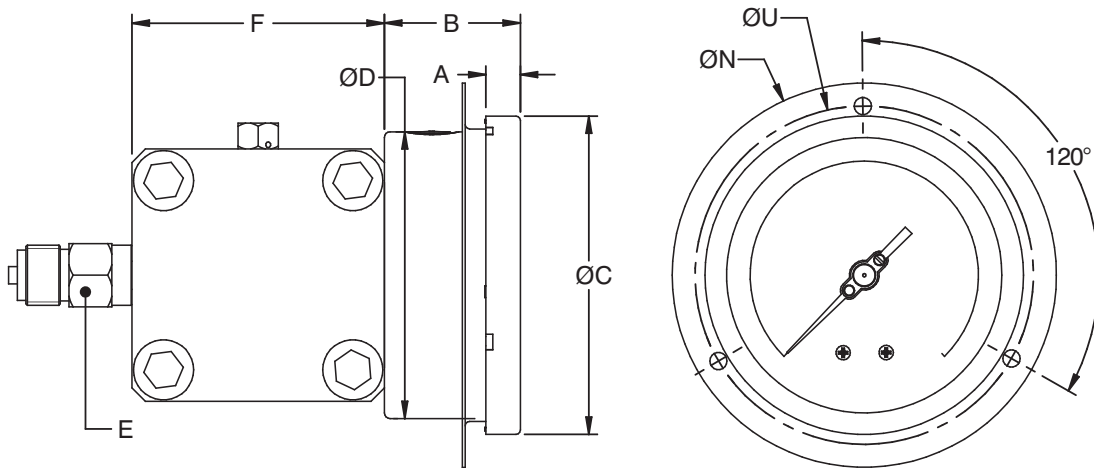
DIMENSIONAL DRAWING

Type B2



DN	A	B	ØC	ØD	E	F	G	H	J	K	L	M	Weight (grams)
100	12	48	111	100	A/F 22	129	69	39	101	161	SQ.88	54	5674
150	15	48	161	149	A/F 22	129	69	39	101	161	SQ.88	54	6067

Type R2



DN	A	B	ØC	ØD	E	F	G	ØN	U	Weight (grams)
100	12	48	111	100	A/F22	SQ.88	54	134	118	4674
150	15	48	161	149	A/F22	SQ.88	54	186	168	5067

STANDARD SPECIFICATIONS : ELECTRIC CONTACT VERSION

Accuracy	:	CL 2.5
Window	:	Poly carbonate dome
Switch	:	1NO; Make contact
Dampening liquid	:	Dielectric oil (Optional)