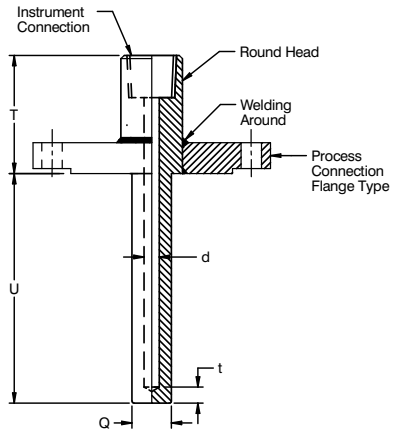
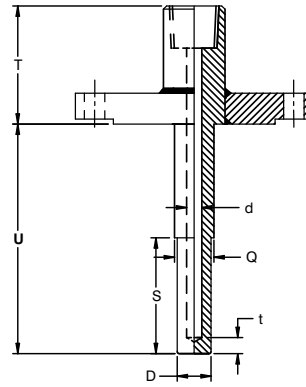


DIMENSIONAL DRAWING

Straight Thermowell



Step Thermowell



Taper Thermowell

