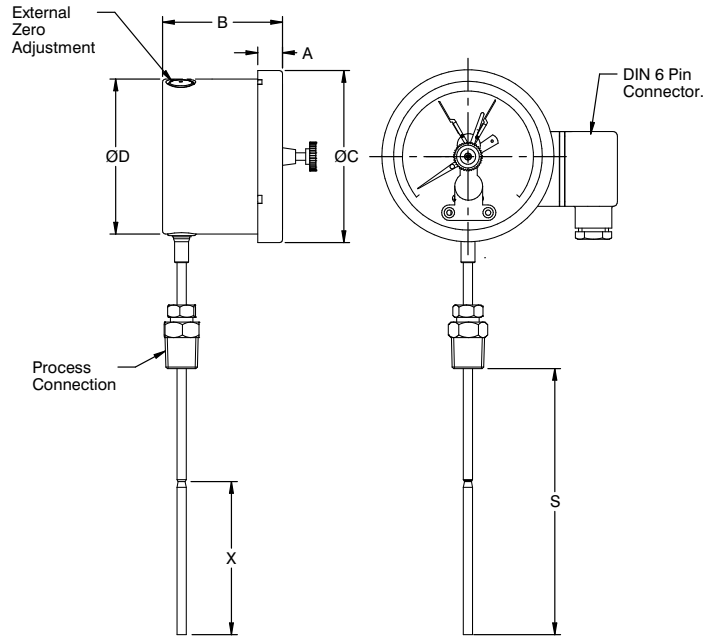


DIMENSIONAL DRAWING

Mounting Pattern: B0, High case type

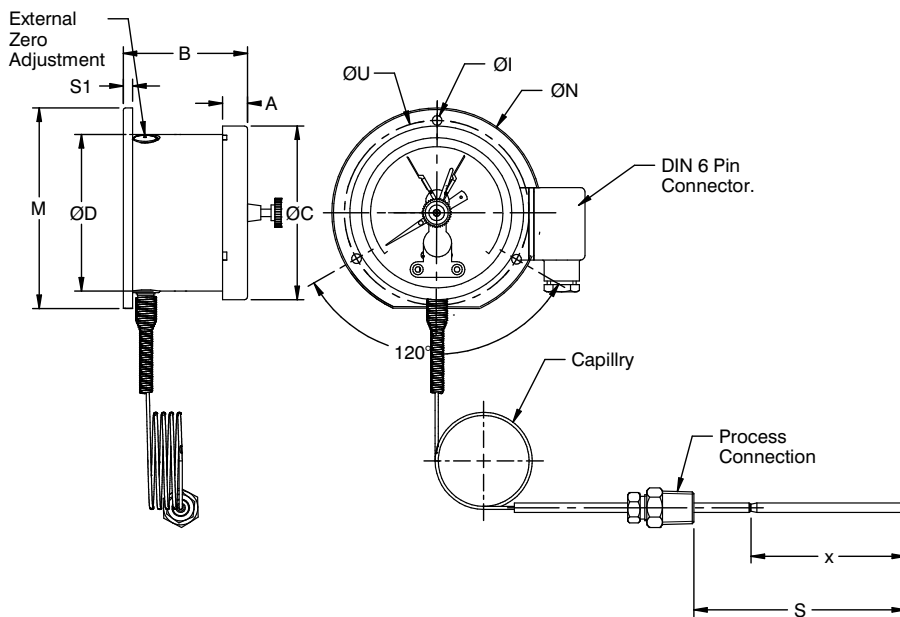


DN	A	B	ØC	ØD	S	X
100	12	91	111	100	*	**
150	15	91	161	149	*	**

\* As per customer requirement.

\*\* Refer technical sheet - Temperature Gauges.

Mounting Pattern: B1, High case type



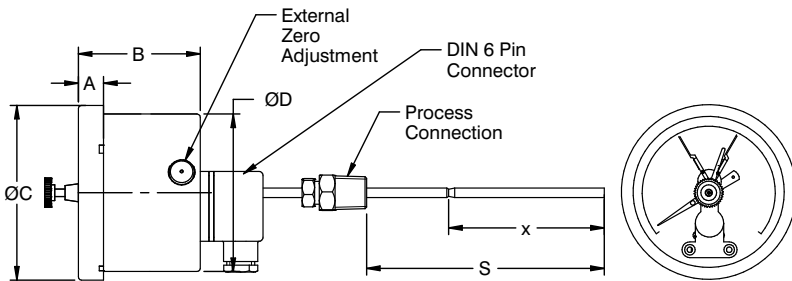
DN	A	B	ØC	ØD	ØI	ØN	M	S1	ØU	S	X
100	12	52	111	100	6	134	128	6	118	*	**
150	15	52	161	149	6	186	172.4	6	168	*	**

\* As per customer requirement.

\*\* Refer technical sheet - Temperature Gauges.

## DIMENSIONAL DRAWING

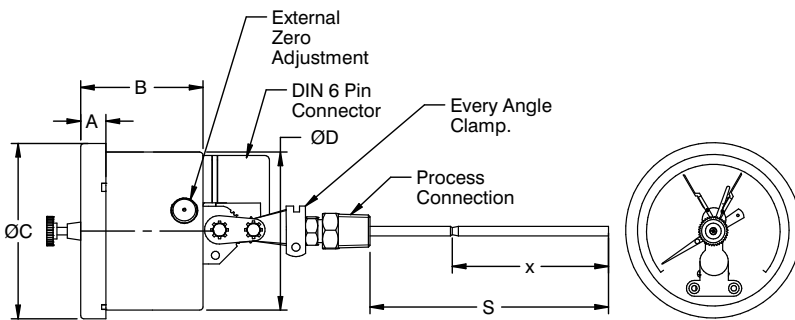
### Mounting Pattern: R0, High case type



DN	A	B	ØC	ØD	S	X
150	15	91	161	149	*	**

\* As per customer requirement.  
 \*\* Refer technical sheet - Temperature Gauges.

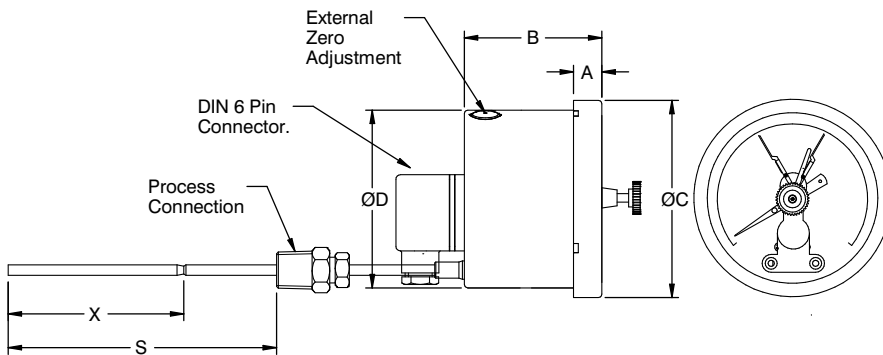
### Mounting Pattern: R1, High case type



DN	A	B	ØC	ØD	S	X
150	15	91	161	149	*	**

\* As per customer requirement.  
 \*\* Refer technical sheet - Temperature Gauges.

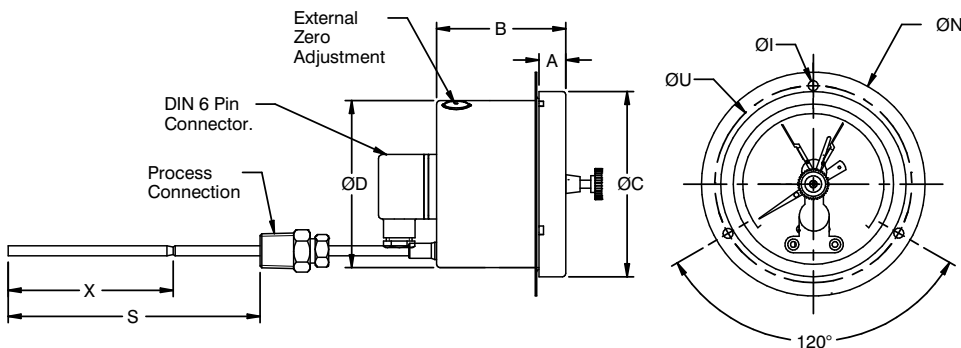
### Mounting Pattern: L0, High case type



DN	A	B	ØC	ØD	S	X
150	15	91	161	149	*	**

\* As per customer requirement.  
 \*\* Refer technical sheet - Temperature Gauges.

### Mounting Pattern: L1, High case type



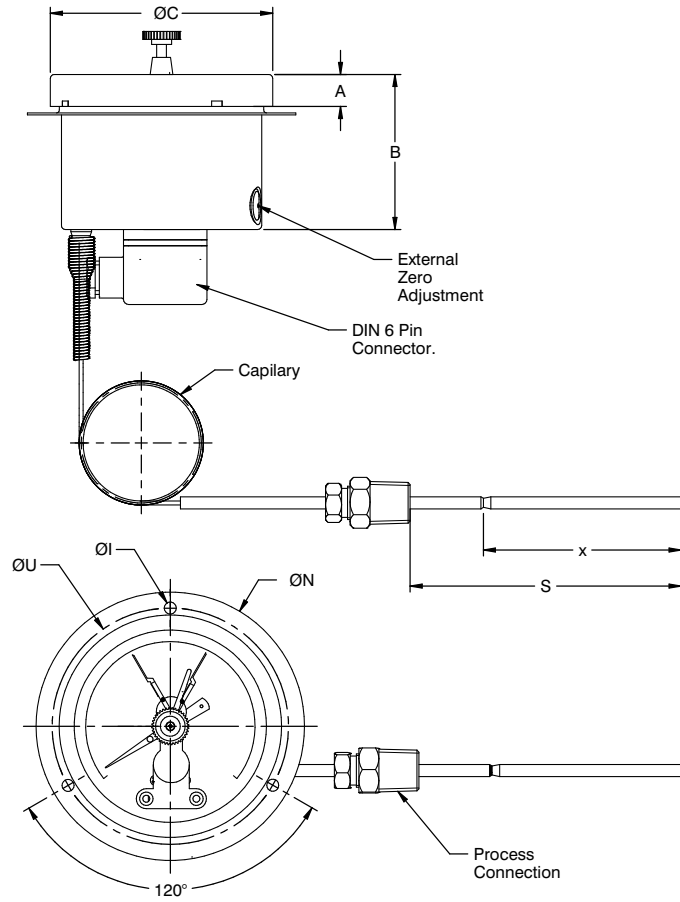
DN	A	B	ØC	ØD	ØI	ØN	ØU	S	X
150	15	48	161	149	6	186	168	*	**

\* As per customer requirement.  
 \*\* Refer technical sheet - Temperature Gauges.

All dimensions are in mm.

DIMENSIONAL DRAWING

Mounting Pattern: L1, High case type



DN	A	B	$\varnothing C$	$\varnothing D$	$\varnothing I$	$\varnothing N$	$\varnothing U$	S	X
150	15	48	161	149	6	186	168	*	**

\* As per customer requirement.  
 \*\* Refer technical sheet - Temperature Gauges.

All dimensions are in mm.