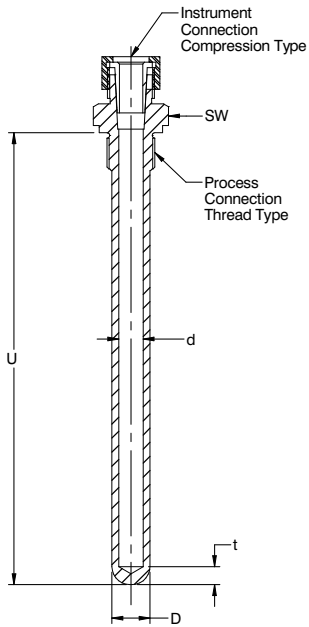


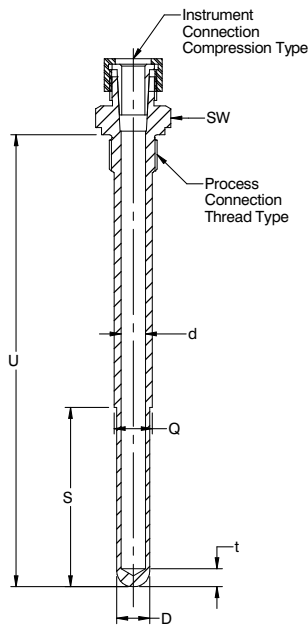
DIMENSIONAL DRAWING

Compression Fitting Thermowell - Bar Stock

Straight Thermowell



Step Thermowell



Taper Thermowell

