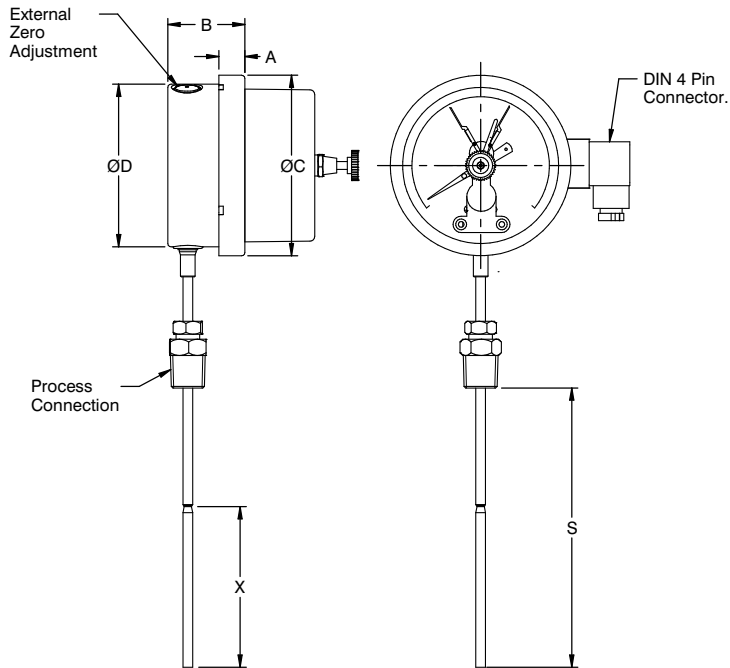


DIMENSIONAL DRAWING

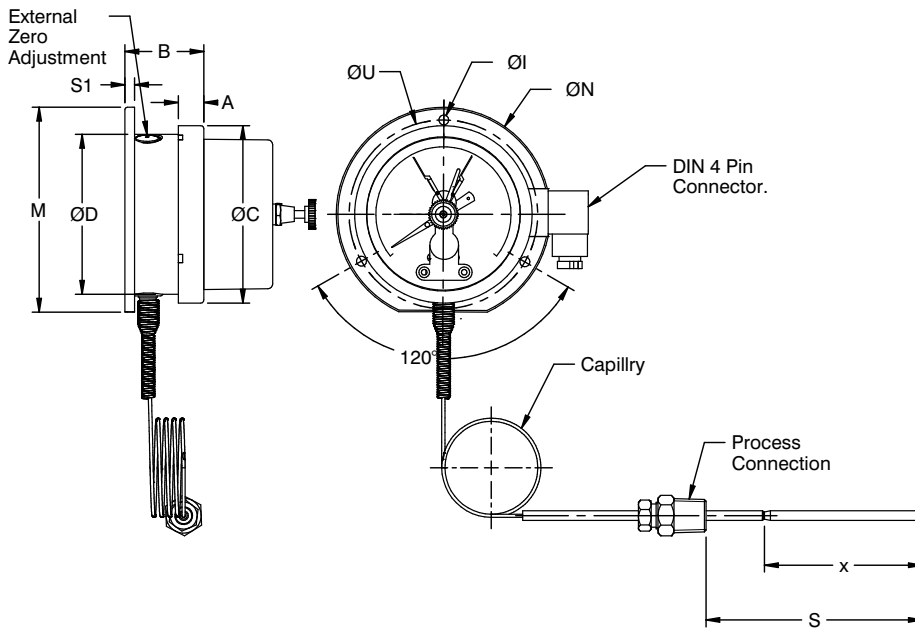
Mounting Pattern: B0, Dome type



| DN  | A  | B  | ØC  | ØD  | S | X  |
|-----|----|----|-----|-----|---|----|
| 100 | 12 | 48 | 111 | 100 | * | ** |
| 150 | 15 | 48 | 161 | 149 | * | ** |

\* As per customer requirement.  
 \*\* Refer technical sheet - Temperature Gauges.

Mounting Pattern: B1, Dome type



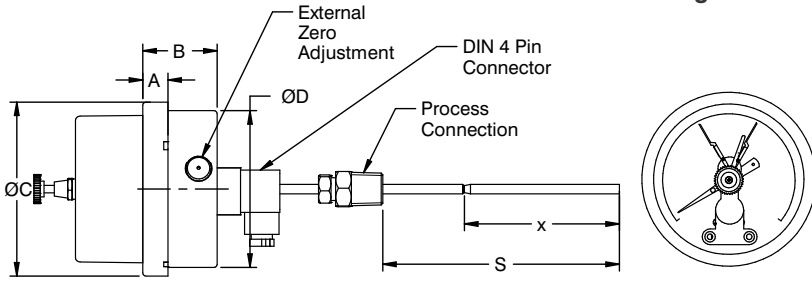
| DN  | A  | B  | ØC  | ØD  | ØI | ØN  | M     | S1 | ØU  | S | X  |
|-----|----|----|-----|-----|----|-----|-------|----|-----|---|----|
| 100 | 12 | 52 | 111 | 100 | 6  | 134 | 128   | 6  | 118 | * | ** |
| 150 | 15 | 52 | 161 | 149 | 6  | 186 | 172.4 | 6  | 168 | * | ** |

\* As per customer requirement.  
 \*\* Refer technical sheet - Temperature Gauges.

All dimensions are in mm.

DIMENSIONAL DRAWING

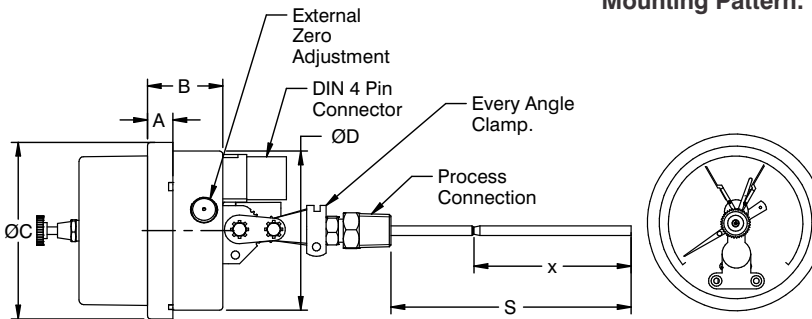
Mounting Pattern: R0, Dome type



| DN  | A  | B  | ØC  | ØD  | S | X  |
|-----|----|----|-----|-----|---|----|
| 100 | 12 | 48 | 111 | 100 | * | ** |
| 150 | 15 | 48 | 161 | 149 | * | ** |

\* As per customer requirement.  
\*\* Refer technical sheet - Temperature Gauges.

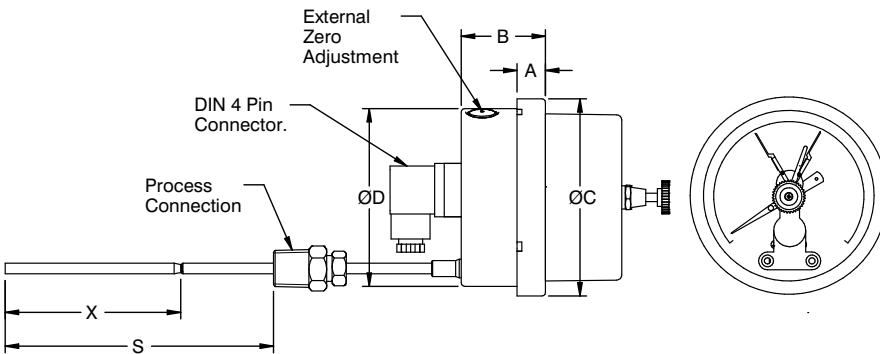
Mounting Pattern: R1, Dome type



| DN  | A  | B  | ØC  | ØD  | S | X  |
|-----|----|----|-----|-----|---|----|
| 100 | 12 | 48 | 111 | 100 | * | ** |
| 150 | 15 | 48 | 161 | 149 | * | ** |

\* As per customer requirement.  
\*\* Refer technical sheet - Temperature Gauges.

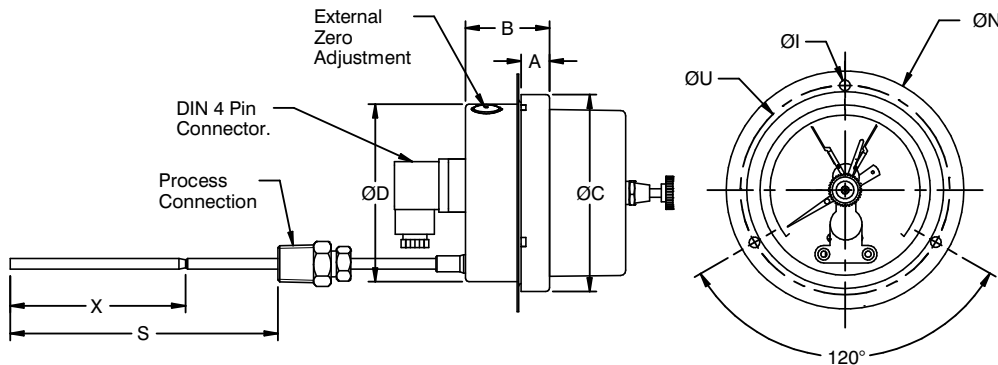
Mounting Pattern: L0, Dome type



| DN  | A  | B  | ØC  | ØD  | S | X  |
|-----|----|----|-----|-----|---|----|
| 100 | 12 | 48 | 111 | 100 | * | ** |
| 150 | 15 | 48 | 161 | 149 | * | ** |

\* As per customer requirement.  
\*\* Refer technical sheet - Temperature Gauges.

Mounting Pattern: L1, Dome type

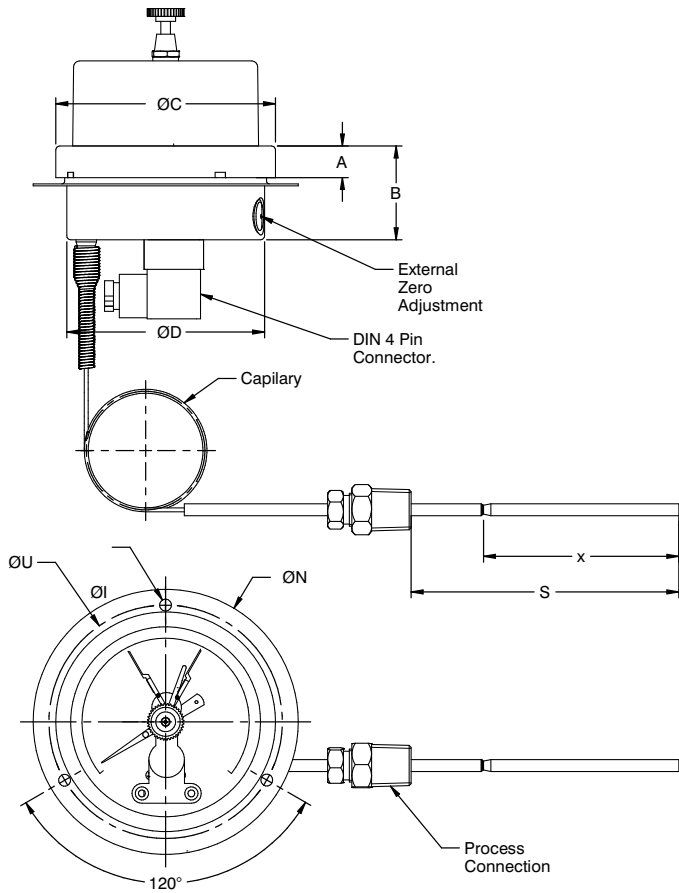


| DN  | A  | B  | ØC  | ØD  | ØI | ØN  | ØU  | S | X  |
|-----|----|----|-----|-----|----|-----|-----|---|----|
| 100 | 12 | 48 | 111 | 100 | 6  | 134 | 118 | * | ** |
| 150 | 15 | 48 | 161 | 149 | 6  | 186 | 168 | * | ** |

\* As per customer requirement.  
\*\* Refer technical sheet - Temperature Gauges.

DIMENSIONAL DRAWING

Mounting Pattern: L1, Dome type

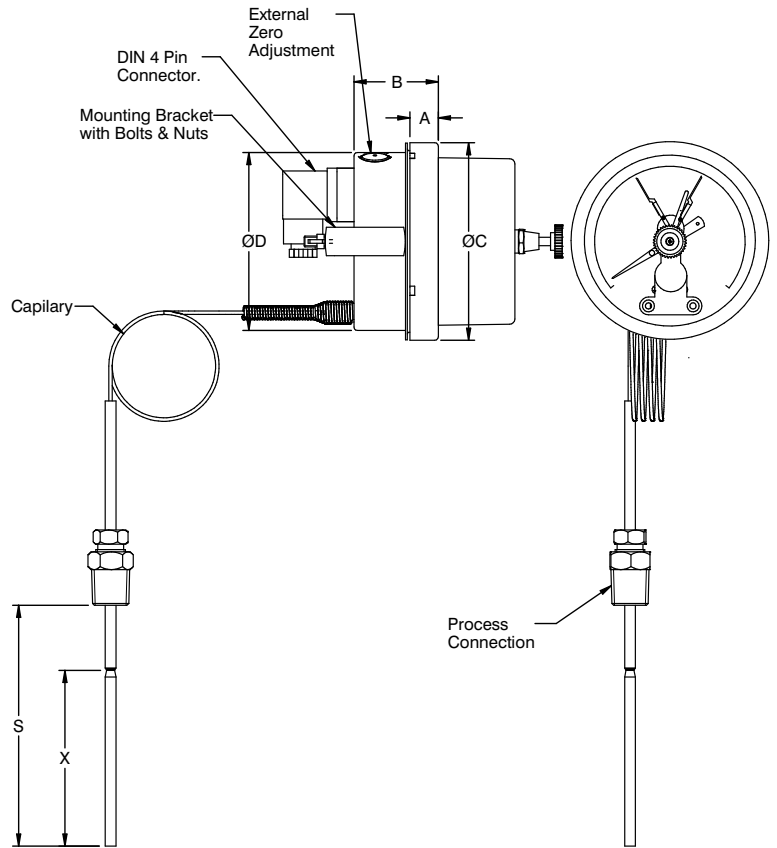


| DN  | A  | B  | ØC  | ØD  | ØI | ØN  | ØU  | S | X  |
|-----|----|----|-----|-----|----|-----|-----|---|----|
| 100 | 12 | 48 | 111 | 100 | 6  | 134 | 118 | * | ** |
| 150 | 15 | 48 | 161 | 149 | 6  | 186 | 168 | * | ** |

\* As per customer requirement.  
 \*\* Refer technical sheet - Temperature Gauges.

All dimensions are in mm.

Mounting Pattern: L2, Dome type



| DN  | A  | B  | ØC  | ØD  | J     | K  | V     | S | X  |
|-----|----|----|-----|-----|-------|----|-------|---|----|
| 100 | 12 | 48 | 111 | 100 | 72    | 16 | 108   | * | ** |
| 150 | 15 | 48 | 161 | 149 | 106.5 | 16 | 158.5 | * | ** |

\* As per customer requirement.  
 \*\* Refer technical sheet - Temperature Gauges.