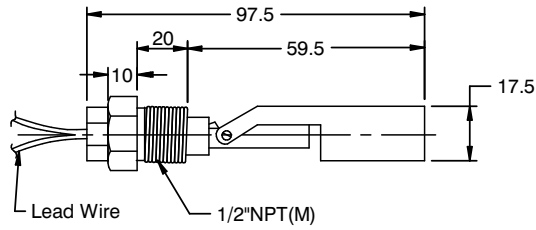
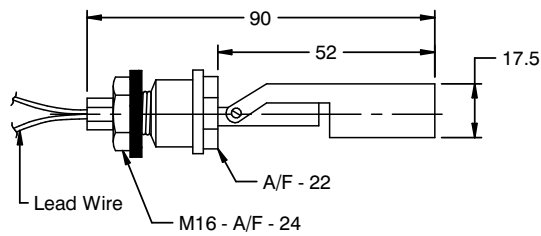


DIMENSIONAL DRAWING

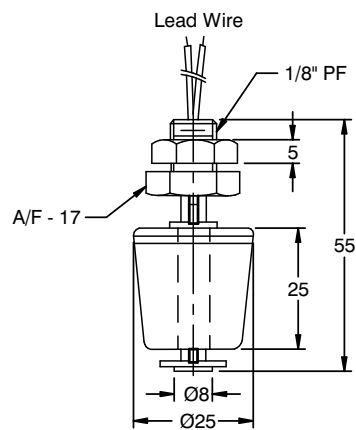
Type 5



Type 6



Type 7



All dimensions are in mm.