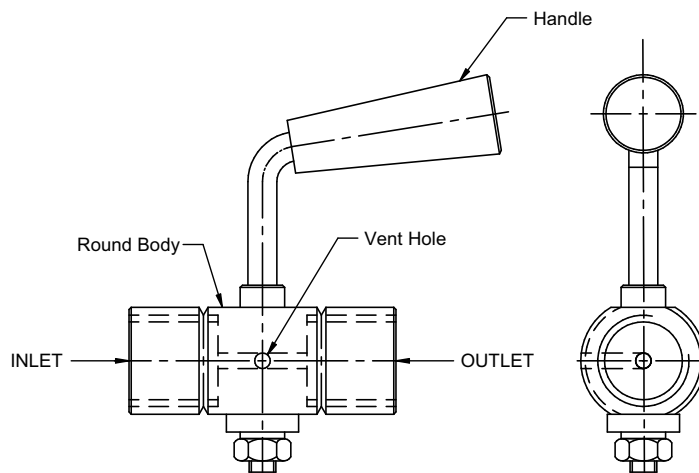


DIMENSIONAL DRAWING

Pattern 1



Pattern 2

