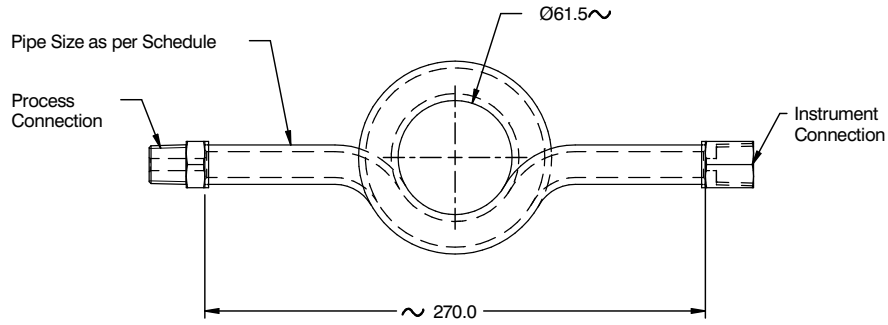
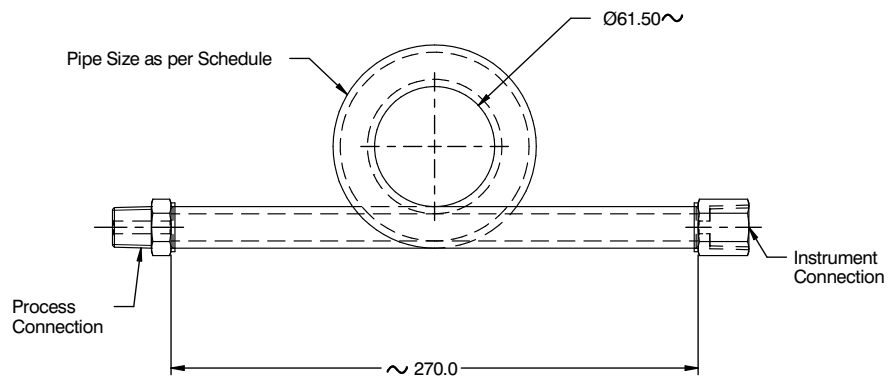


DIMENSIONAL DRAWING

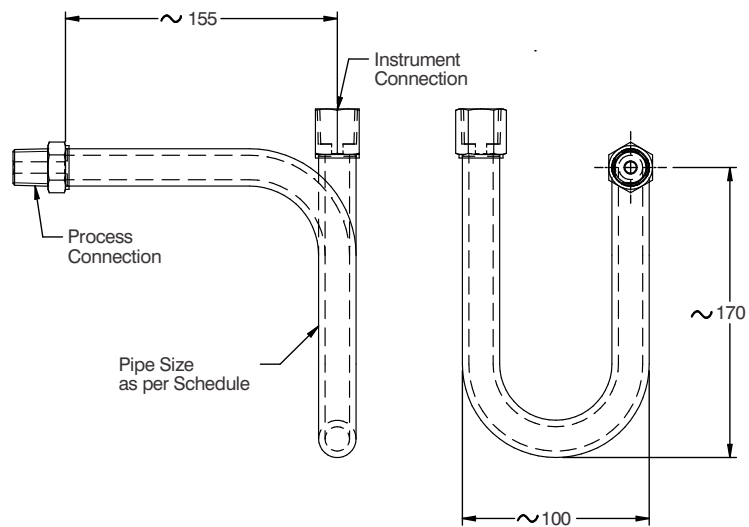
Pattern 1



Pattern 2



Pattern 3



All dimensions are in mm.