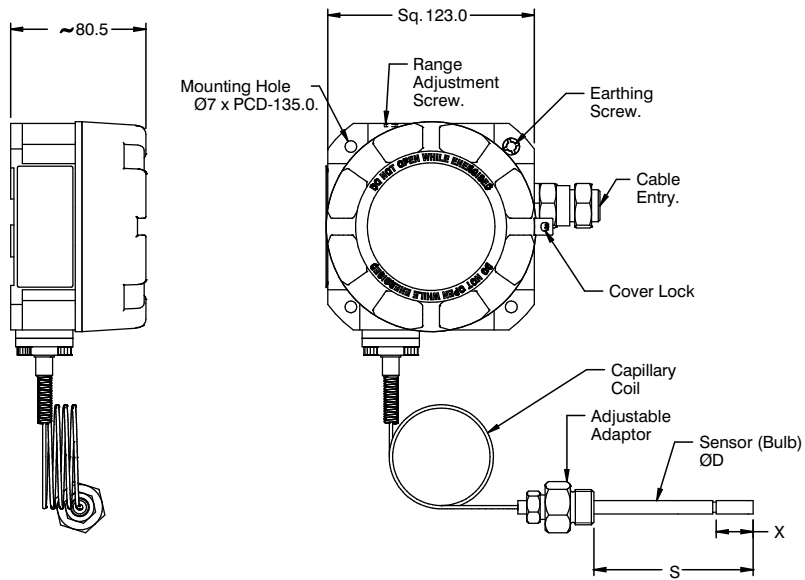
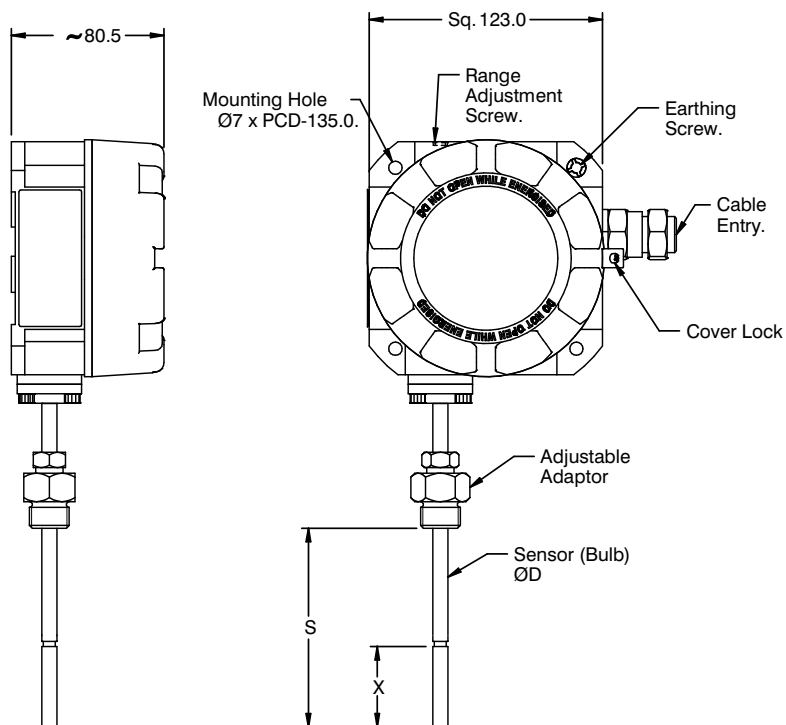


DIMENSIONAL DRAWING

Type 1



Type 2



All dimensions are in mm.