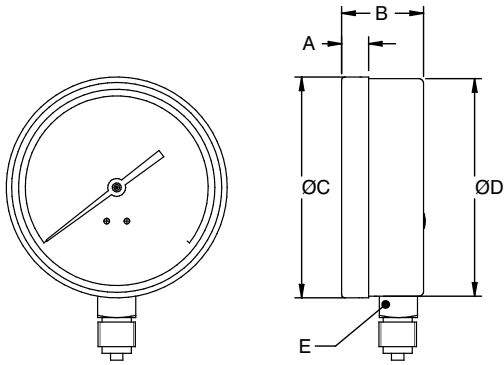
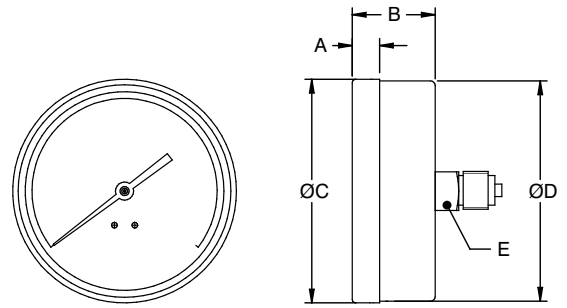


DIMENSIONAL DRAWING

Type B0



Type R0



DN	A	B	ØC	ØD	E	Weight (grams)
250	37.5	51	252	249	22	2060

All dimensions are in mm.