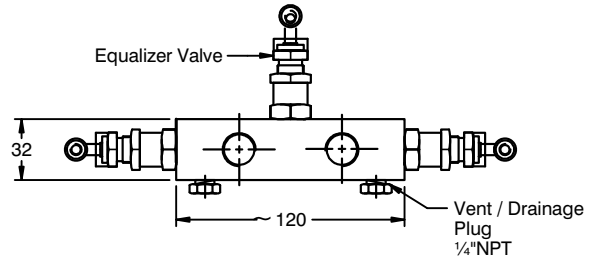
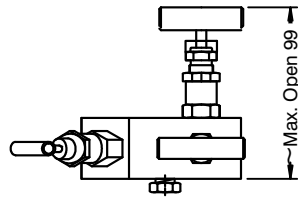
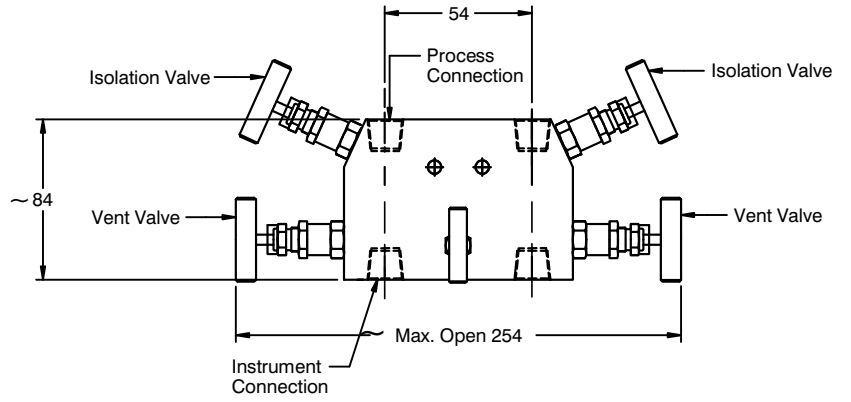


DIMENSIONAL DRAWING

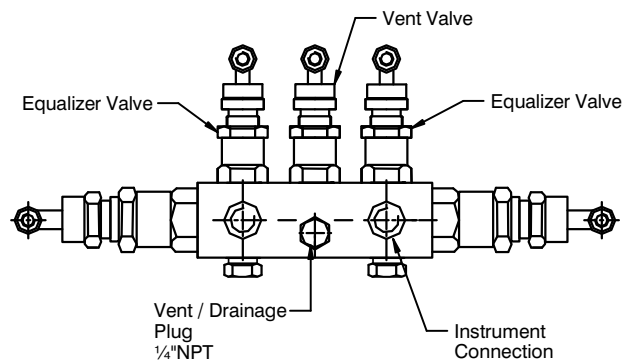
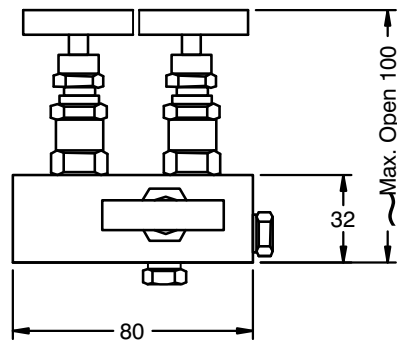
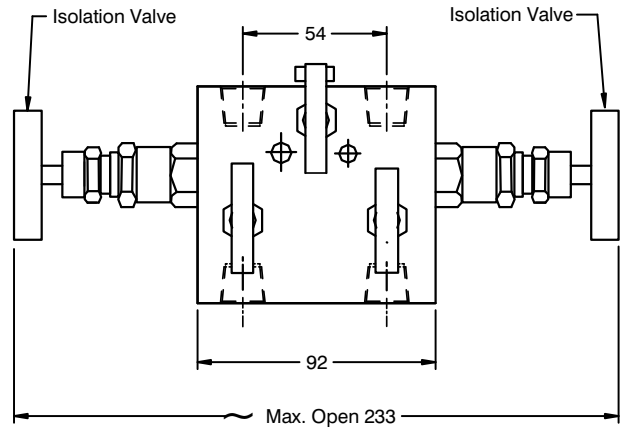
Remote mount - Pattern 1



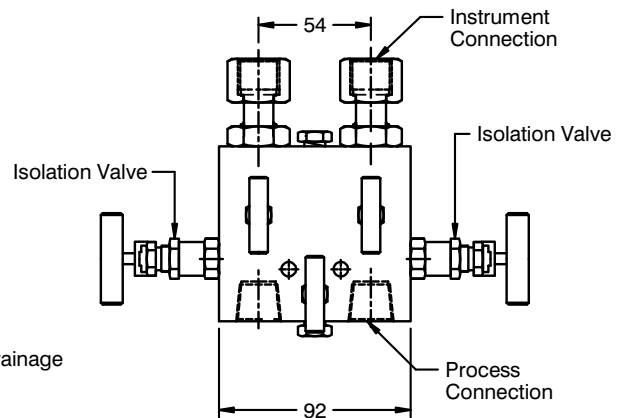
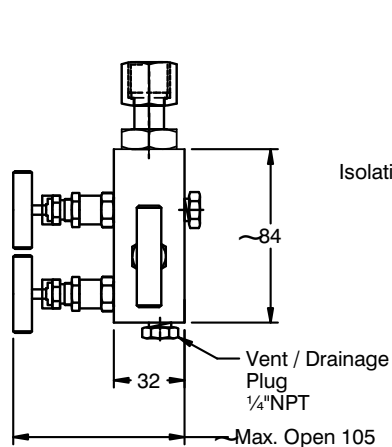
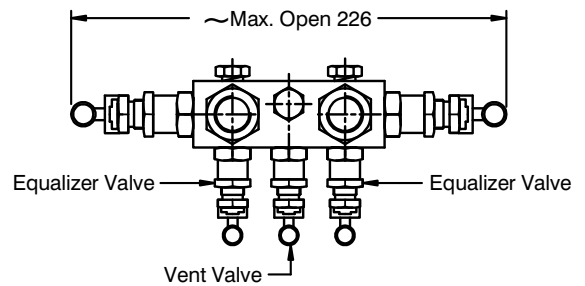
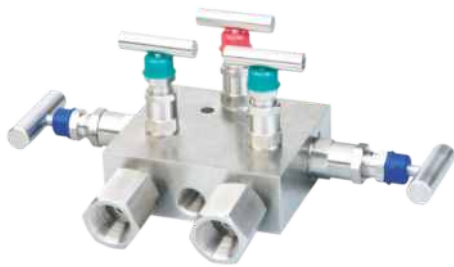
All dimensions are in mm.

## DIMENSIONAL DRAWING

### Remote mount - Pattern 2

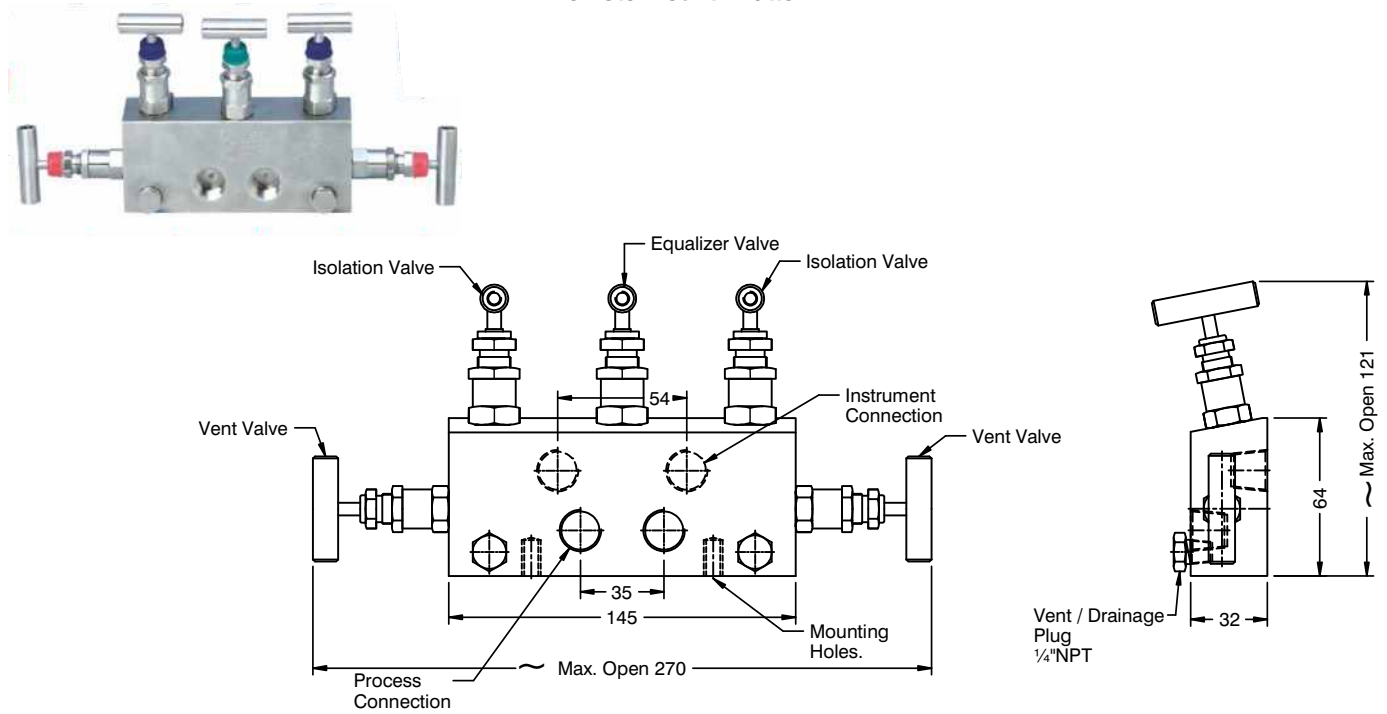


### Remote mount - Pattern 3

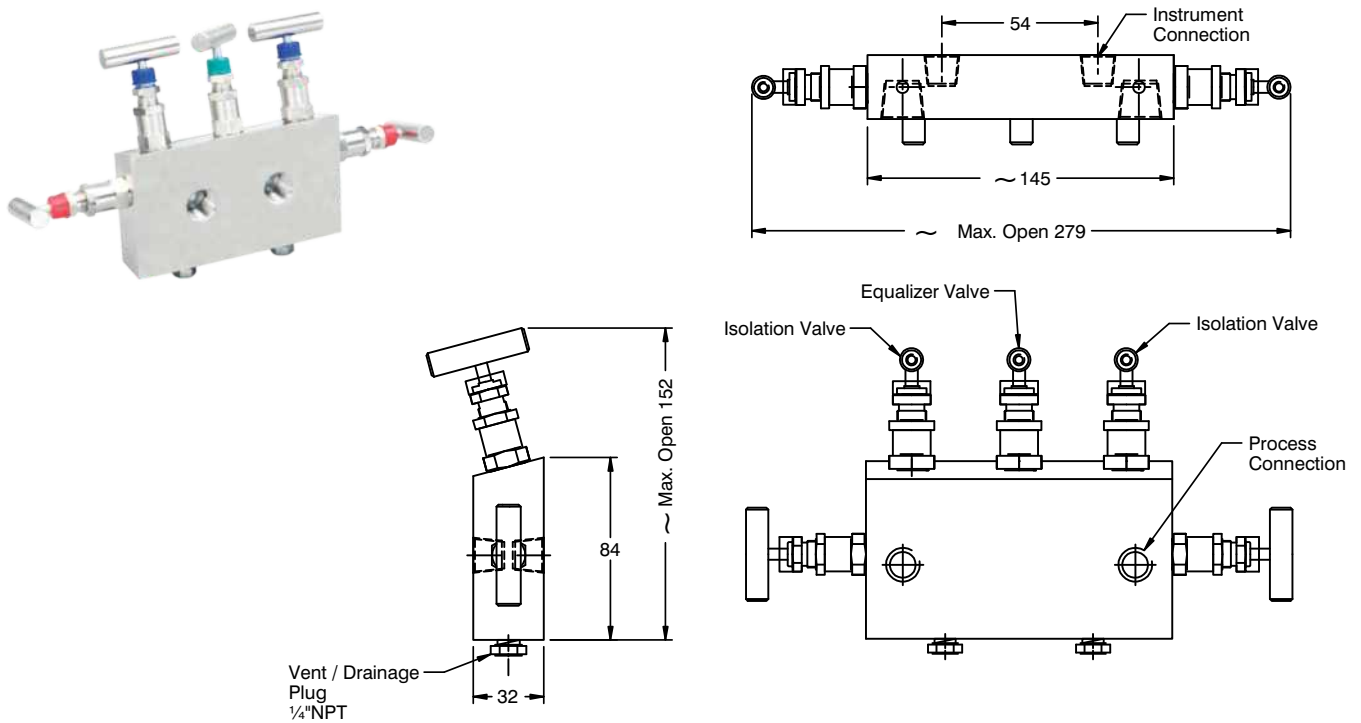


DIMENSIONAL DRAWING

Remote mount - Pattern 4



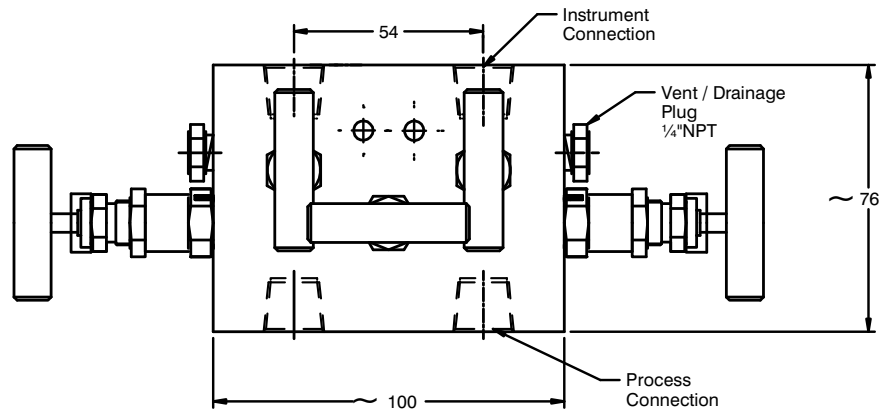
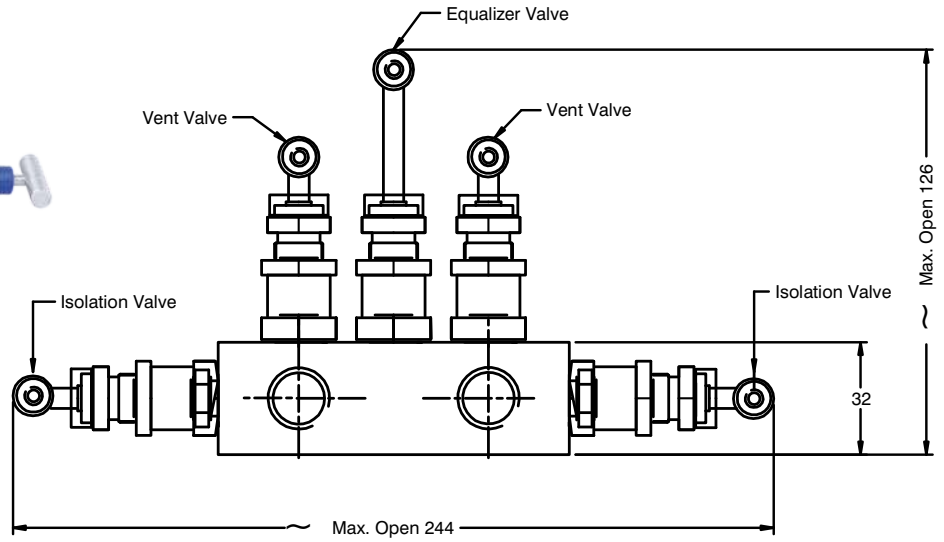
Remote mount - Pattern 5



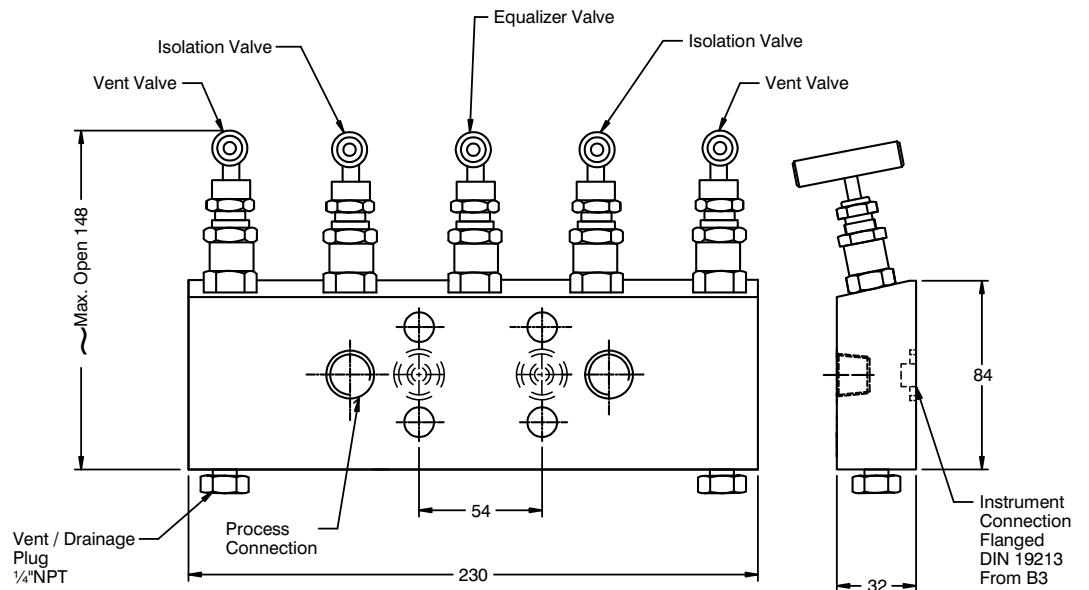
All dimensions are in mm.

DIMENSIONAL DRAWING

Remote mount - Pattern 6



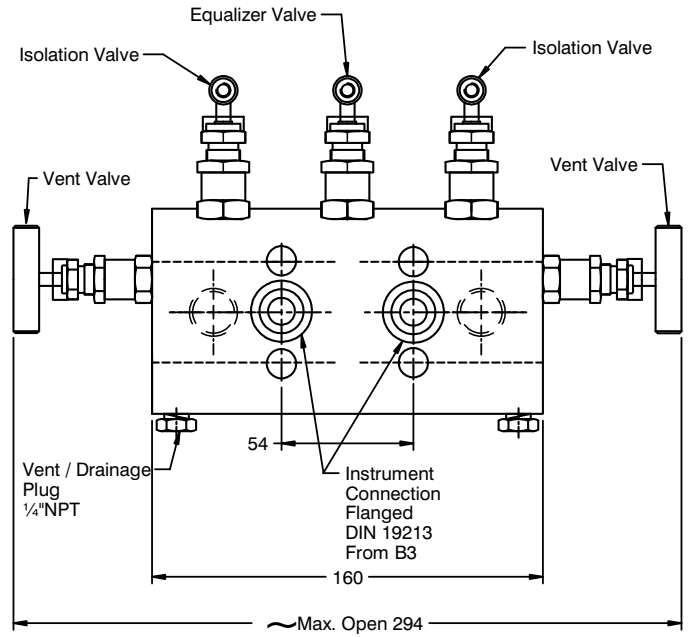
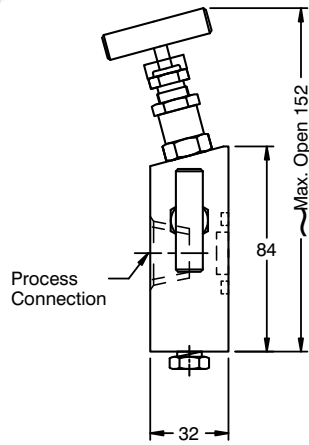
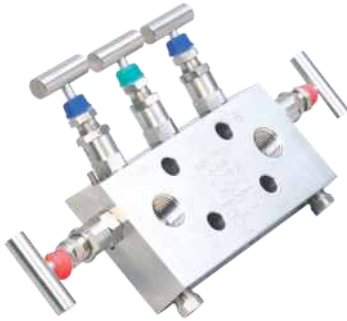
Direct mount - Pattern 1



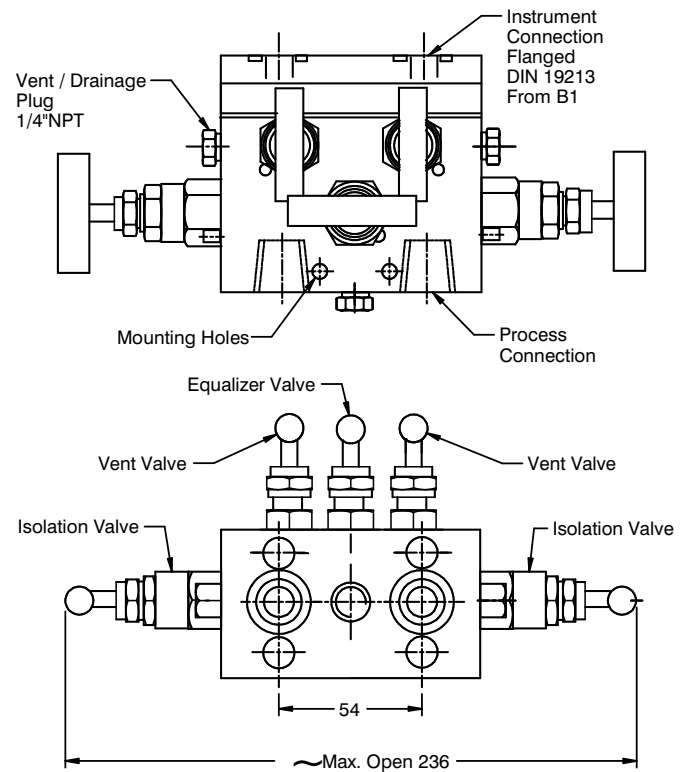
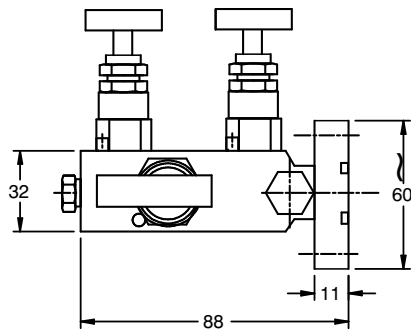
All dimensions are in mm.

## DIMENSIONAL DRAWING

### Direct mount - Pattern 2

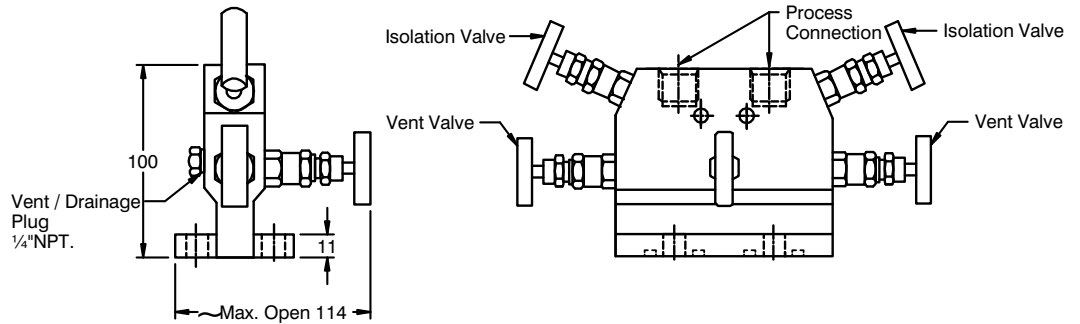
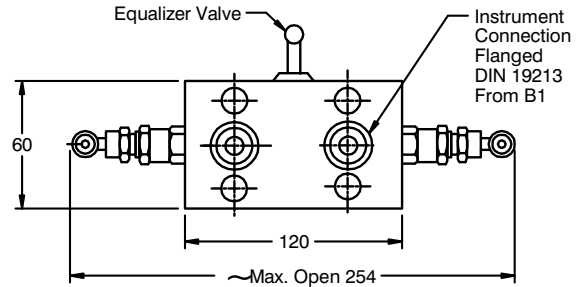


### Direct mount - Pattern 3

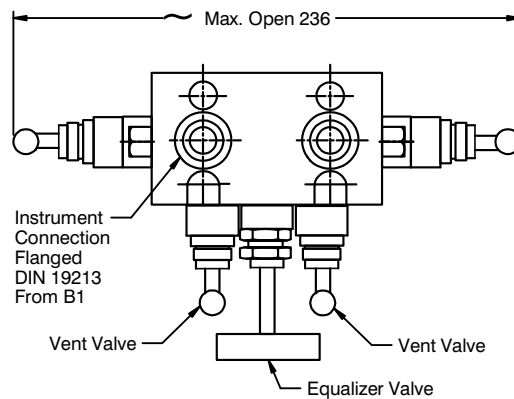
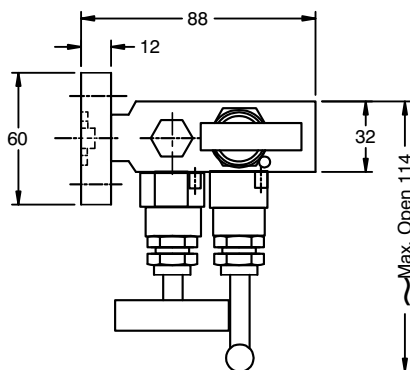
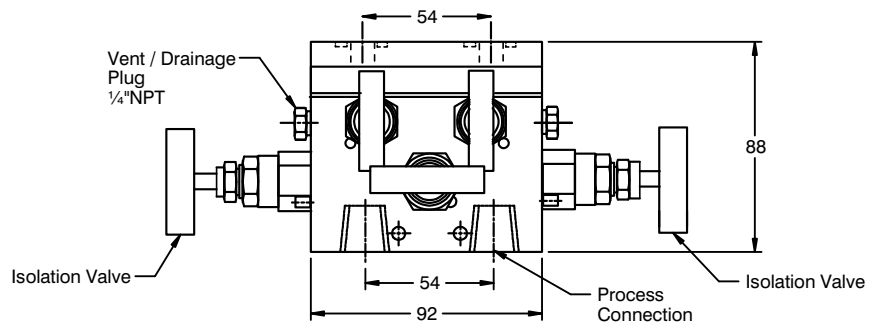


## DIMENSIONAL DRAWING

### Direct mount - Pattern 4

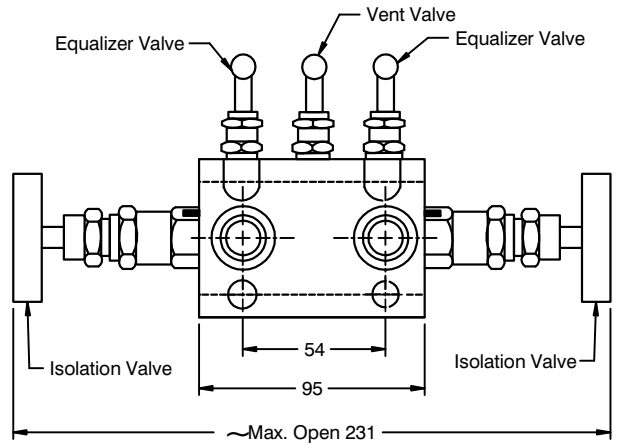
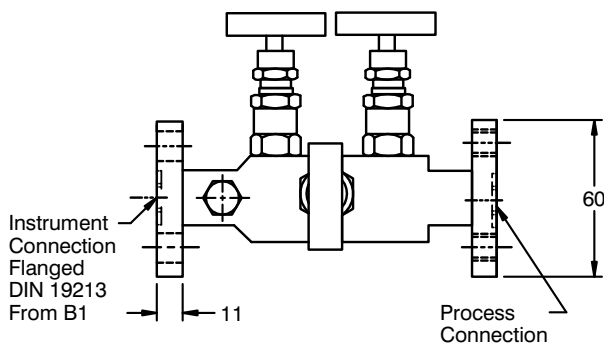
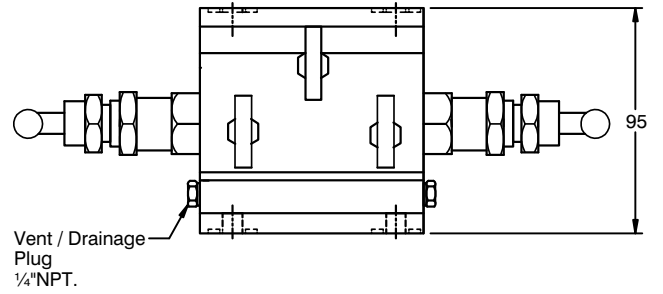


### Direct mount - Pattern 5

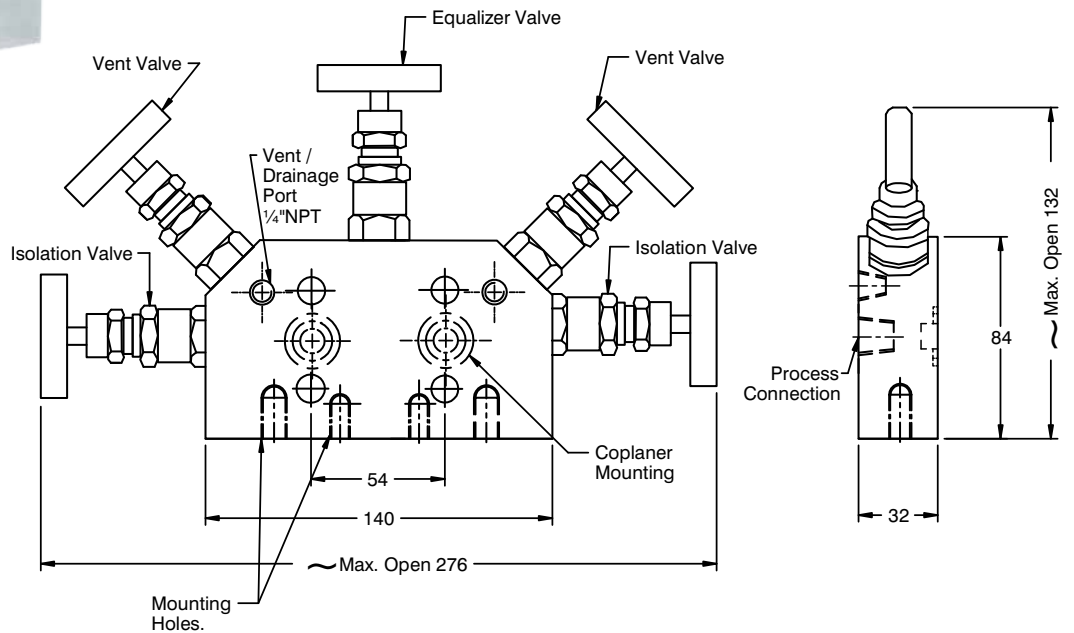


DIMENSIONAL DRAWING

Direct mount - Pattern 6



Direct mount - Pattern 7



All dimensions are in mm.