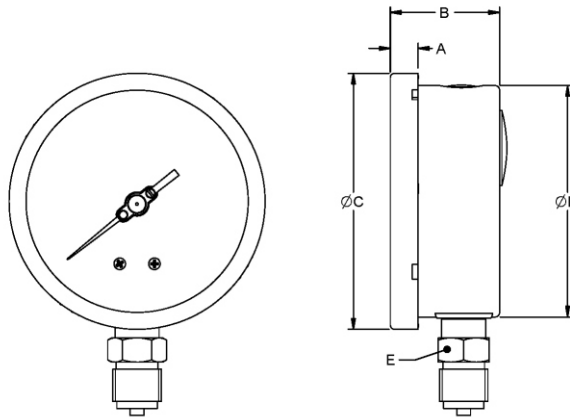


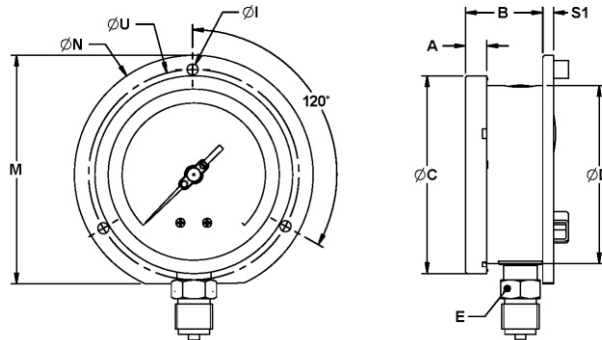
DIMENSIONAL DRAWING

Type B0



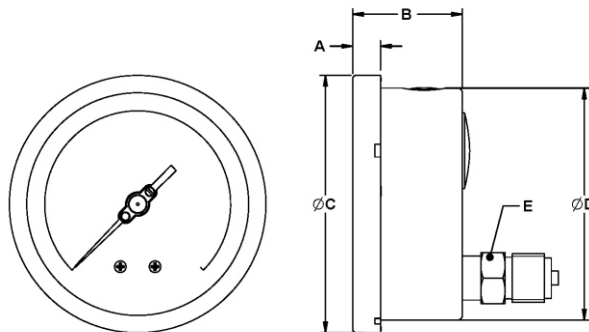
DN	A	B	ØC	ØD	E	Weight (grams)
100	12	48	111	100	SQ.22	506

Type B1



DN	A	B	ØC	ØD	E	ØI	M	ØN	S1	ØU	Weight (grams)
100	12	52	111	100	SQ.22	6	128	134	6	118	613

Type L0

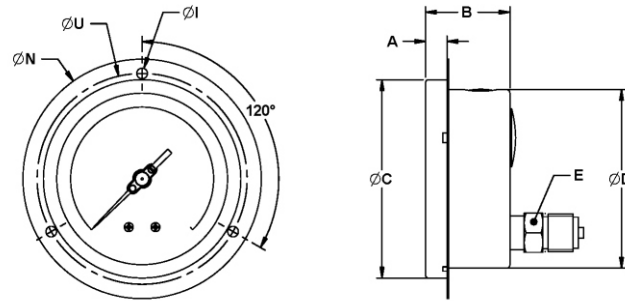


DN	A	B	ØC	ØD	E	Weight (grams)
100	12	48	111	100	SQ.22	506

All dimensions are in mm.

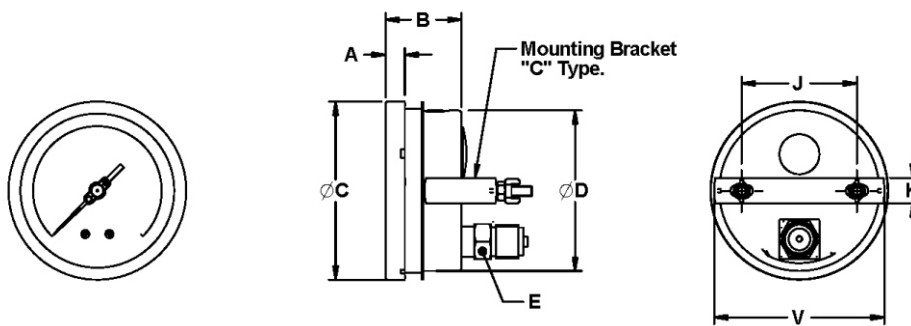
## DIMENSIONAL DRAWING

### Type L1



DN	A	B	$\varnothing C$	$\varnothing D$	E	$\varnothing I$	$\varnothing N$	$\varnothing U$	Weight (grams)
100	12	48	111	100	SQ.22	6	134	118	580

### Type L2



DN	A	B	$\varnothing C$	$\varnothing D$	E	J	K	V	Weight (grams)
100	12	48	111	100	SQ.22	72	16	108	595