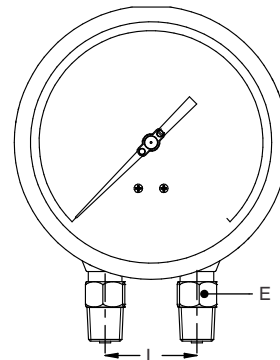
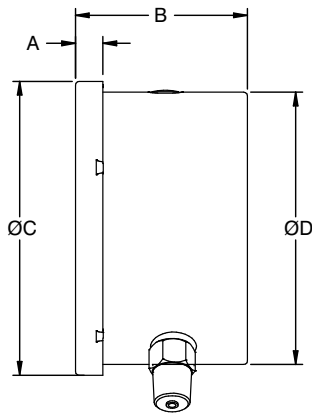
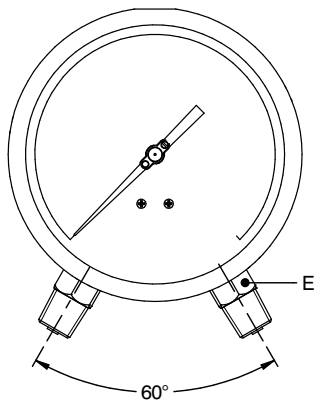
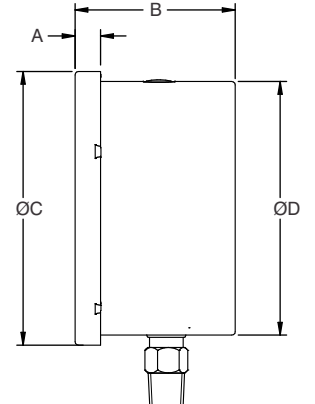


DIMENSIONAL DRAWING

Type B0



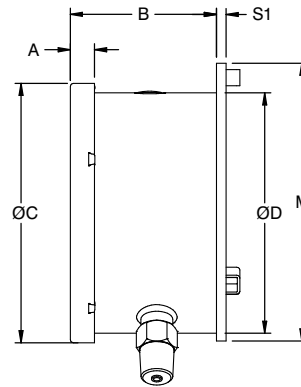
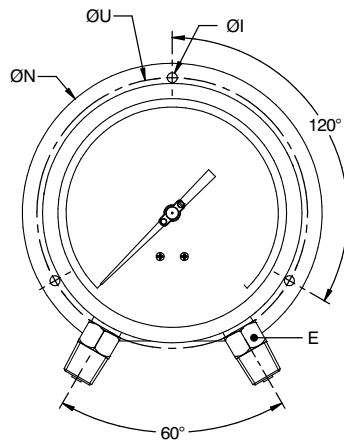
Type B0



DN	A	B	ØC	ØD	E	Weight (grams)
150	15	94	161	149	A/F-22	1840

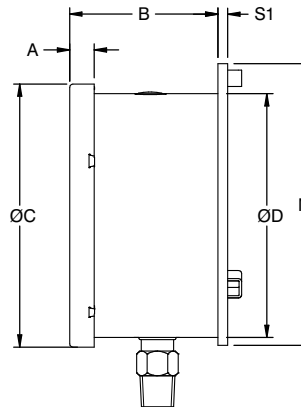
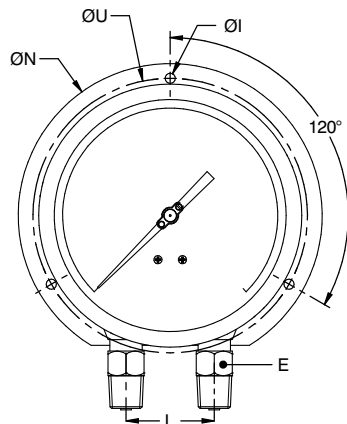
DN	A	B	ØC	ØD	E	Weight (grams)
150	15	94	161	149	A/F-22	1840

Type B1



DN	A	B	ØC	ØD	E	ØI	M	ØN	S1	ØU	Weight (grams)
150	15	98	161	149	A/F-22	6	172	186	6	168	2020

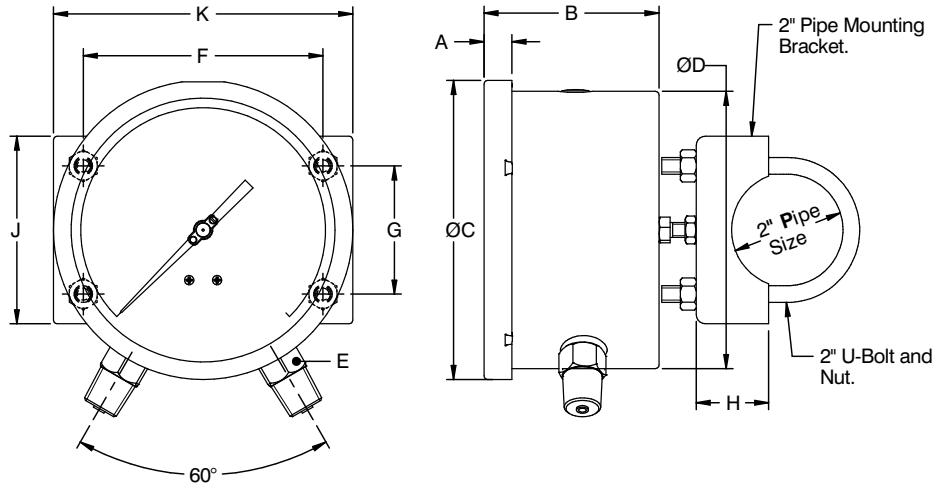
Type B1



DN	A	B	ØC	ØD	E	ØI	L	M	ØN	S1	ØU	Weight (grams)
150	15	98	161	149	A/F-22	6	54	172	186	6	168	2020

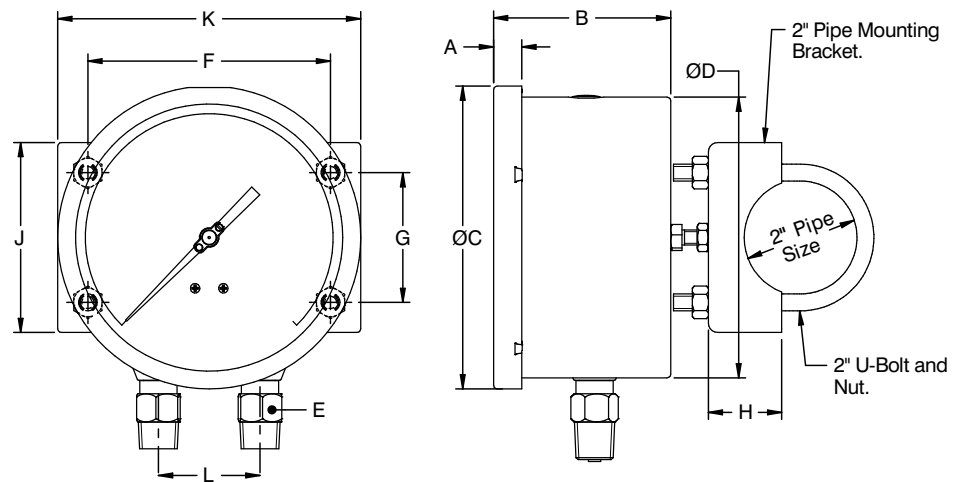
DIMENSIONAL DRAWING

Type B2



DN	A	B	ØC	ØD	E	F	G	H	J	K	Weight (grams)
150	15	94	161	149	A/F-22	129	69	39	101	161	2914

Type B2



DN	A	B	ØC	ØD	E	F	G	H	J	K	L	Weight (grams)
150	15	94	161	149	A/F-22	129	69	39	101	161	54	2914