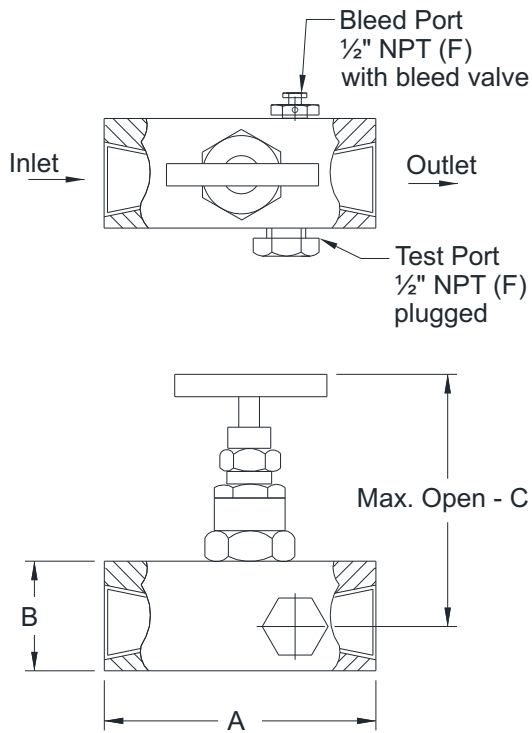
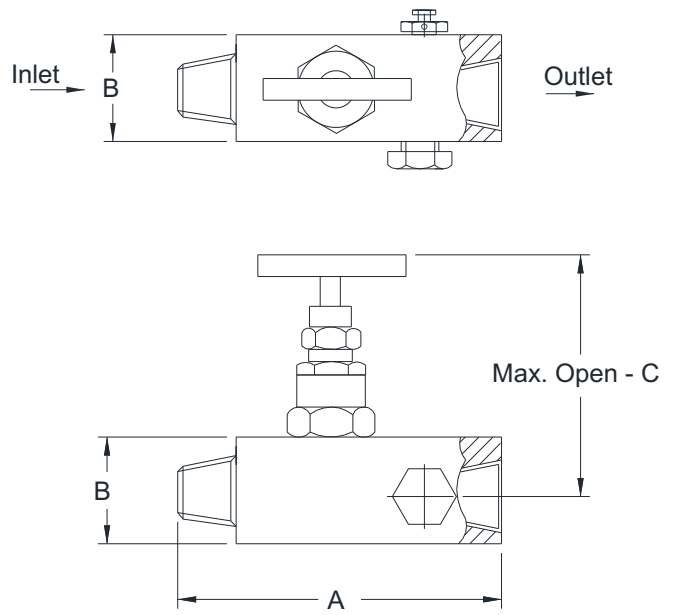


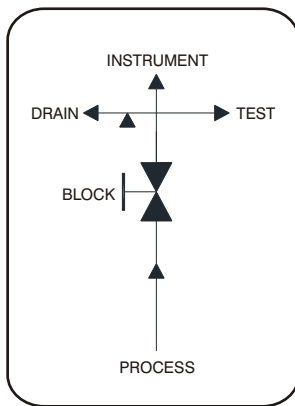
FEMALE X FEMALE



MALE X FEMALE



FLOW DIAGRAM



Connections		A	B	Max. open - C Stem Type	
Size	Type			HS	SS
NPT 1/4"	F x F	74	25	65	64.5
	M x F	84	25	65	64.5
NPT 3/8"	F x F	74	25	65	64.5
	M x F	84	25	65	64.5
NPT 1/2"	F x F	102	32	86.6	94
	M x F	115	32	86.6	94
NPT 3/4"	F x F	102	38	86.6	97
	M x F	115	38	86.6	97

NOTE:

This drawing is a property of ITEC. Unauthorized copying, tracing and use of the drawing by any means without getting permission in writing from ITEC is prohibited. The drawing shall be returned in the "as it is" condition if it is damaged.

TOLERANCE : GENERAL

SCALE : NOT TO SCALE

ALL DIMENSIONS ARE IN "mm"

End-User		Our Ref.	
Customer		Drawing No.	
Project		Revision	
Project No.		Date	
Drawn by	TJ	Checked by	GP
Approved by	UV		
Product code	V103		
Title	NEEDLE VALVES - MULTI-PORT		

