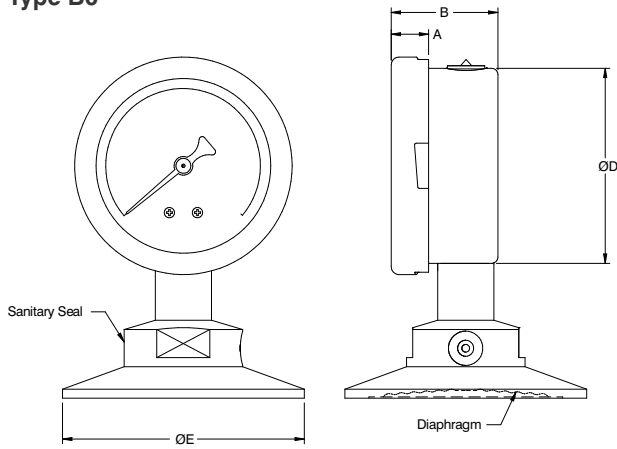


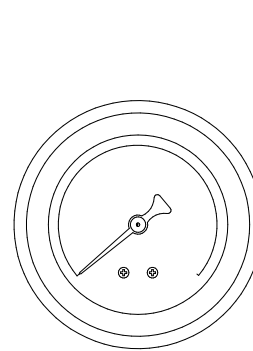
DIMENSIONAL DRAWING

Type B0

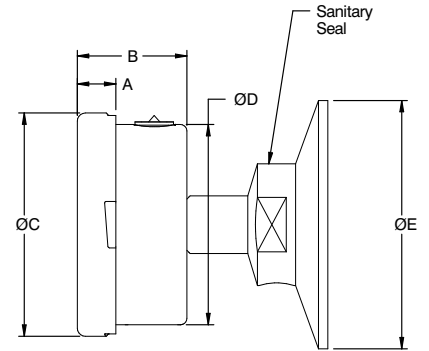


DN	Clamp Size	A	B	ØC	ØD	ØE	Weight (grams)
50	1½"	9	34	58.5	51	50.5	305
	2"	9	34	58.5	51	64	366
	2½"	9	34	58.5	51	77.5	499
63	1½"	12	33	69.7	62.5	50.5	394
	2"	12	33	69.7	62.5	64	455
	2½"	12	33	69.7	62.5	77.5	588

Rolling Type



Type R0



DN	Clamp Size	A	B	ØC	ØD	ØE	Weight (grams)
50	1½"	9	34	58.5	51	50.5	305
	2"	9	34	58.5	51	64	366
	2½"	9	34	58.5	51	77.5	499
63	1½"	12	33	69.7	62.5	50.5	394
	2"	12	33	69.7	62.5	64	455
	2½"	12	33	69.7	62.5	77.5	588

All dimensions are in mm.