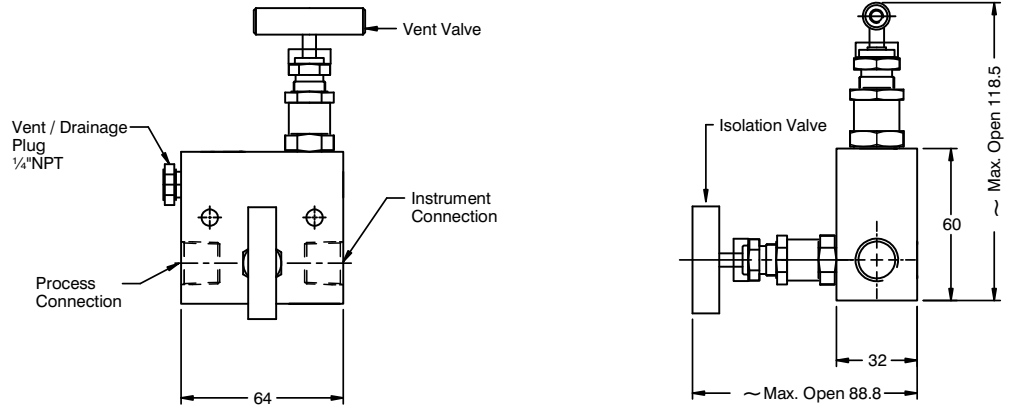
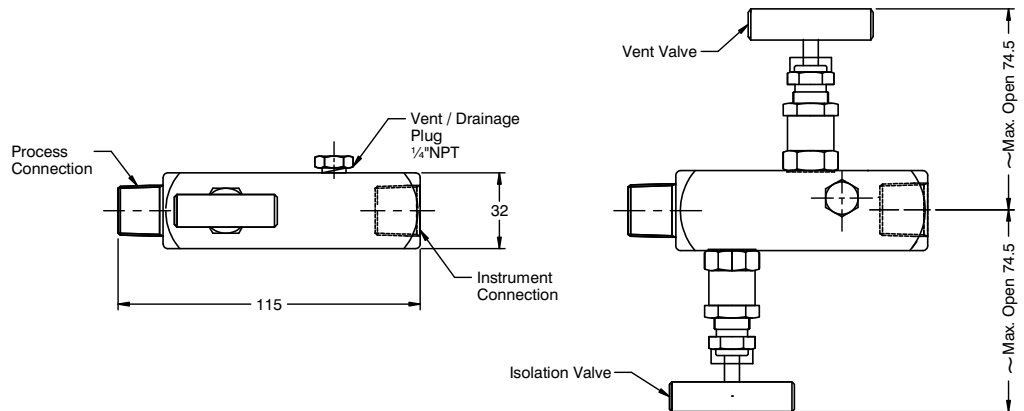


DIMENSIONAL DRAWING

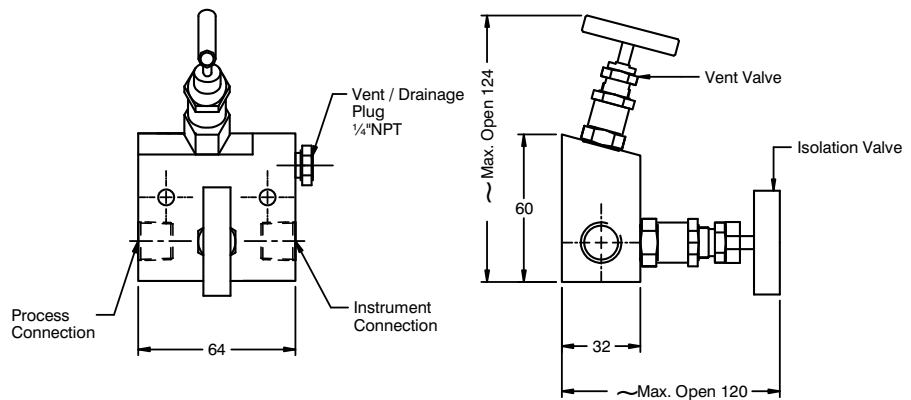
Remote mount - Pattern 1



Remote mount - Pattern 2

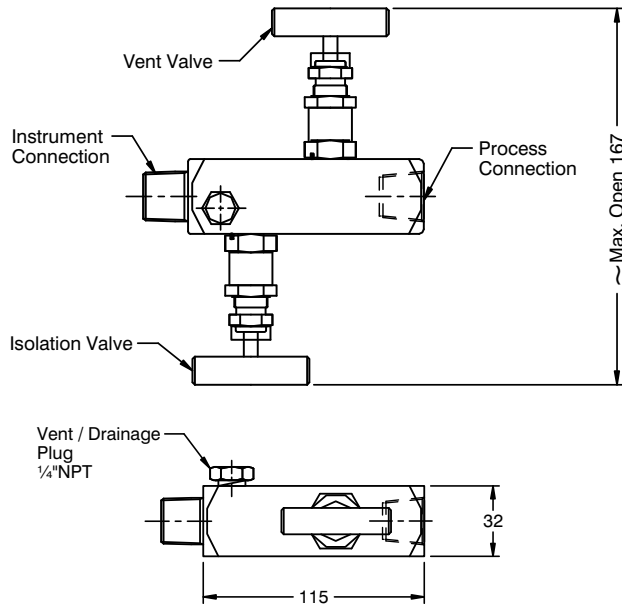


Remote mount - Pattern 3

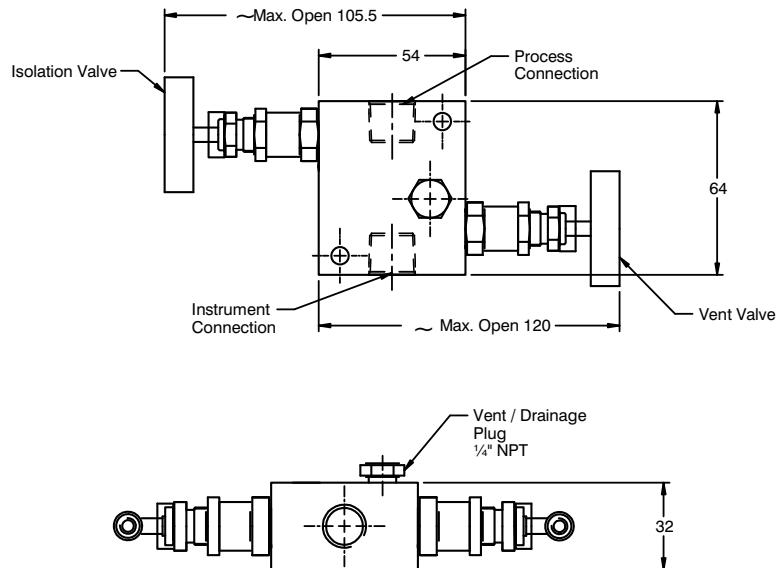


All dimensions are in mm.

Remote mount - Pattern 4



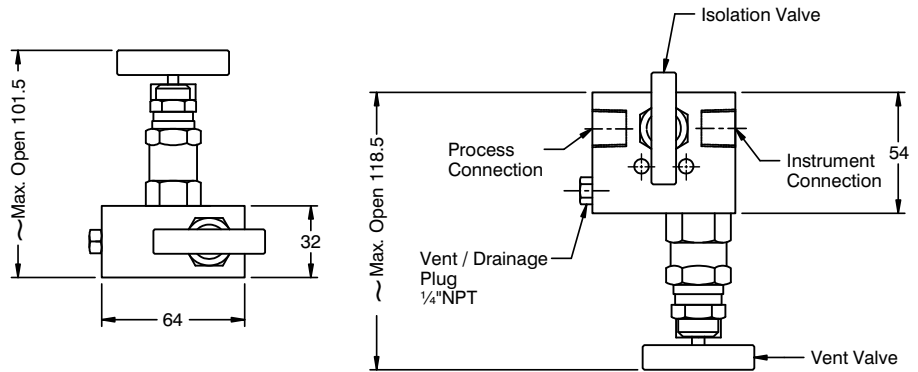
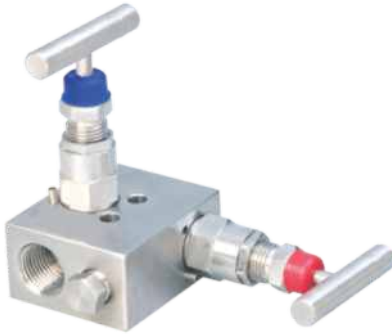
Remote mount - Pattern 5



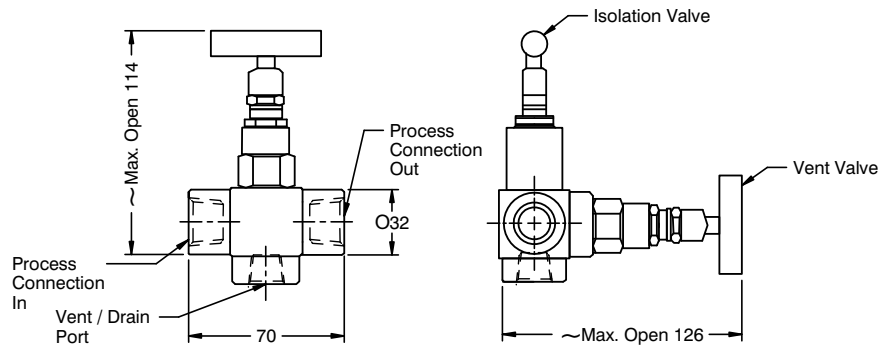
All dimensions are in mm.

## DIMENSIONAL DRAWING

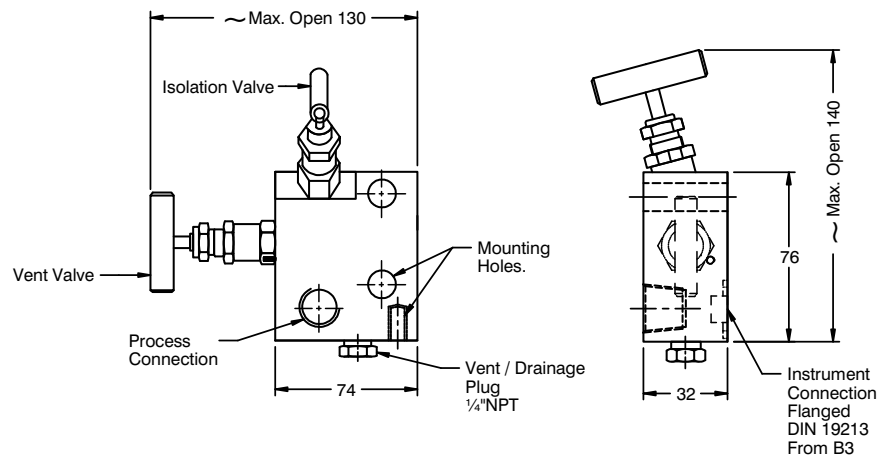
### Remote mount - Pattern 6



### Remote mount - Pattern 7

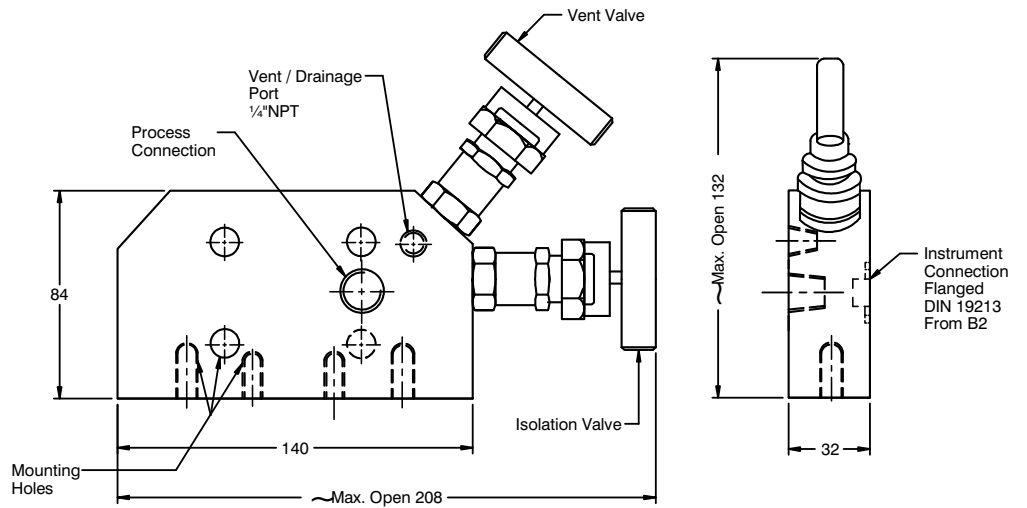


### Direct mount - Pattern 1

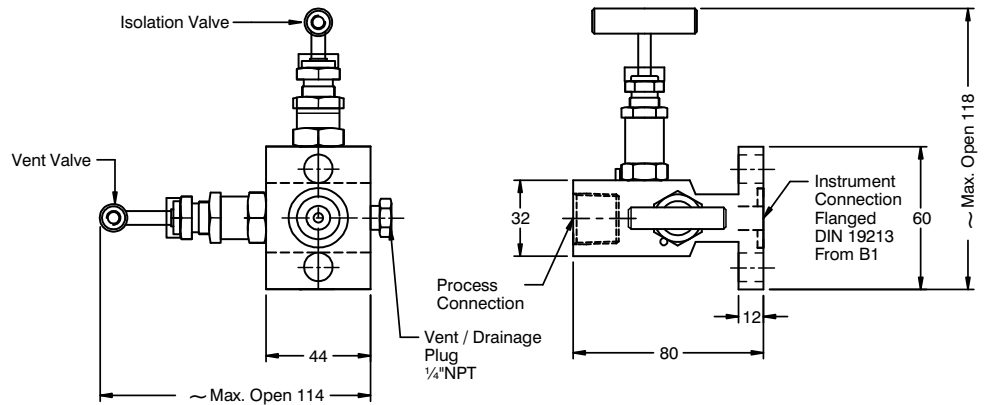


DIMENSIONAL DRAWING

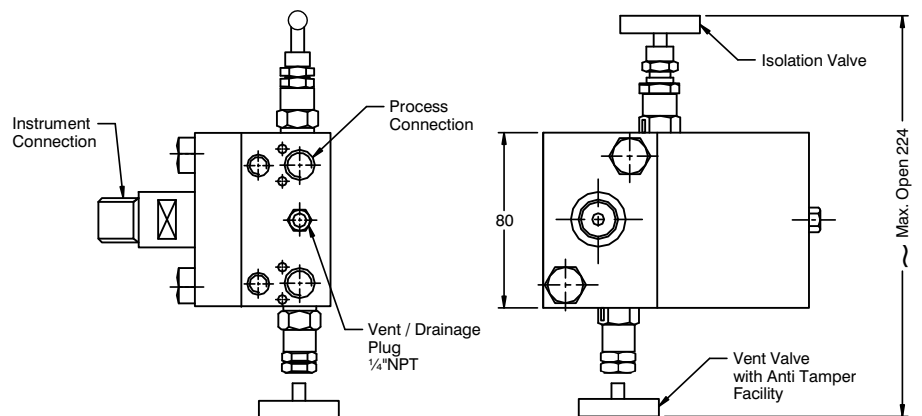
Direct mount - Pattern 2



Direct mount - Pattern 3



Direct mount - Pattern 4



All dimensions are in mm.

All dimensions are in mm.