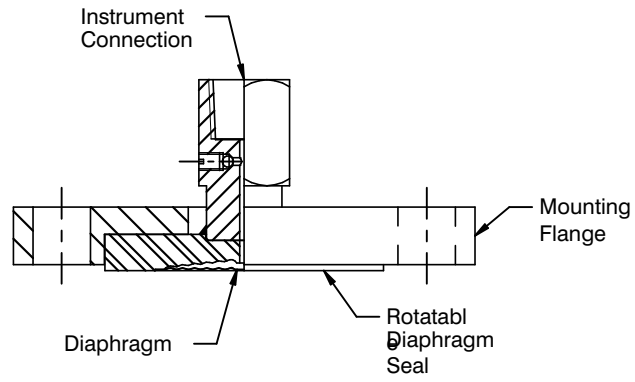


DIMENSIONAL DRAWING

Type S42



All dimensions are in mm.