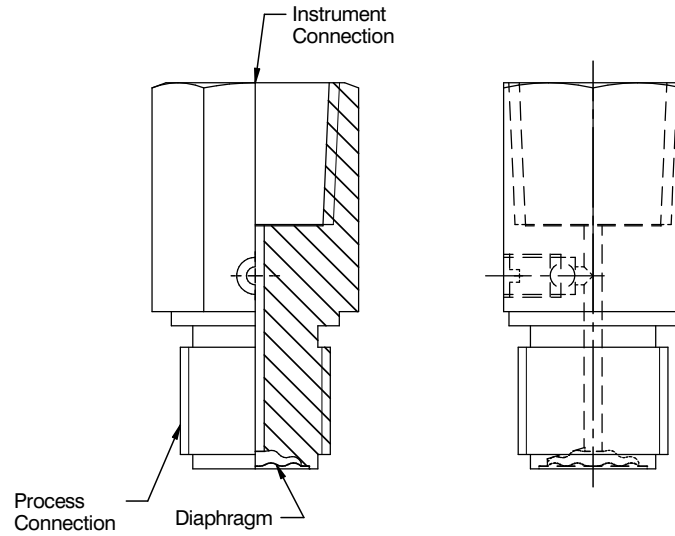


DIMENSIONAL DRAWING

Type S16



CONNECTION SIZE Vs RANGE CHART

Thread Size	1/2"	3/4"	1"	1 1/2"	2"
"Diaphragm Size (OD/ED) in "mm"	15/12	20/16	27/23	40/32	48/40
Range (bar)	0...70 to 0...700	0...40 to 0...700	0...25 to 0...700	0...4 to 0...600	0...4 to 0...400