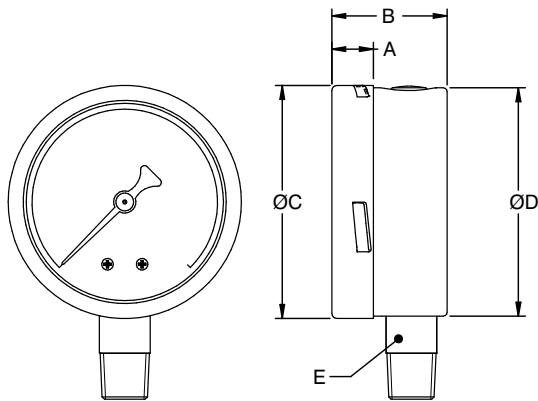


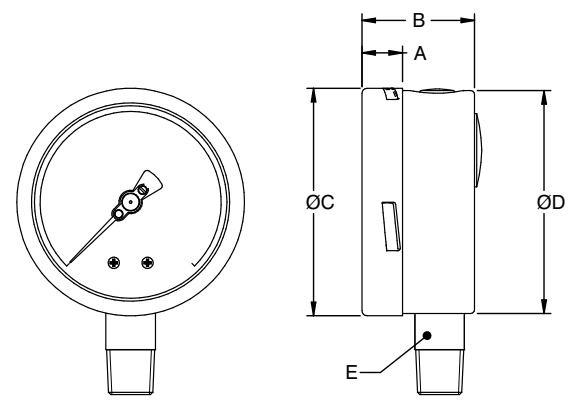
DIMENSIONAL DRAWING

Type B0



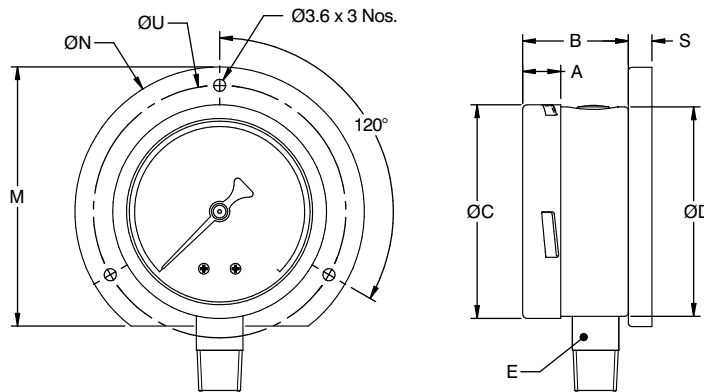
DN	A	B	ØC	ØD	E	Weight (grams)
63	12	32	64	61.7	SQ.14	190

Type B0



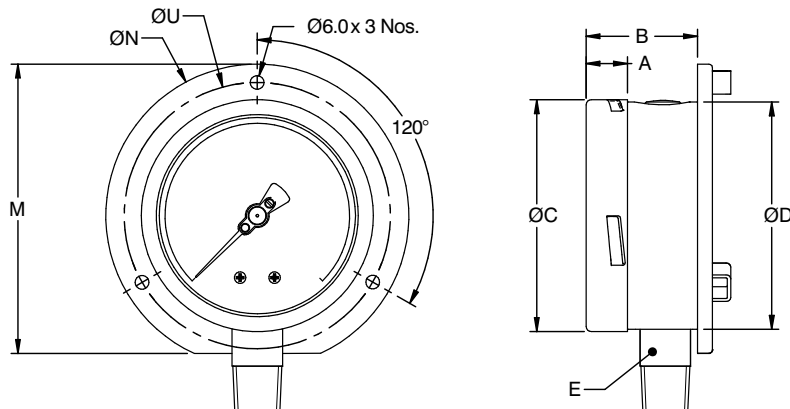
DN	A	B	ØC	ØD	E	Weight (grams)
100	16.5	50	101	99	SQ.22	491
150	17	51	162	159	SQ.22	890

Type B1



DN	A	B	ØC	ØD	E	M	ØN	S	ØU	Weight (grams)
63	12	32	64	61.7	SQ.14	80	86	7	75	240

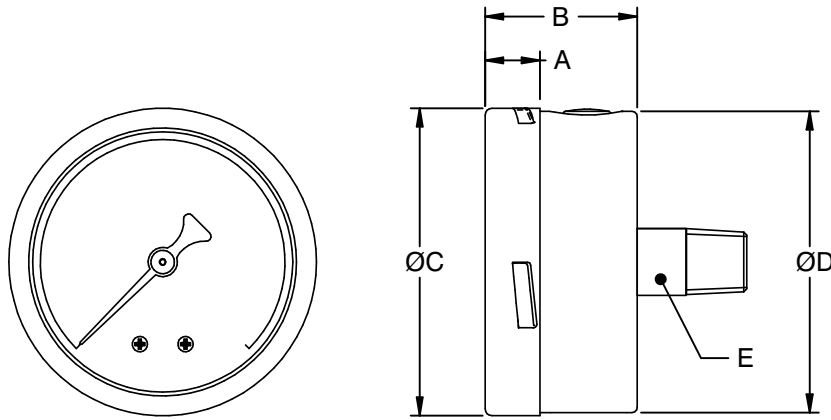
Type B1



DN	A	B	ØC	ØD	E	M	ØN	ØU	Weight (grams)
100	16.5	54	101	99	SQ.22	126	132	116	598
150	17	55	162	159	SQ.22	188	196	178	1070

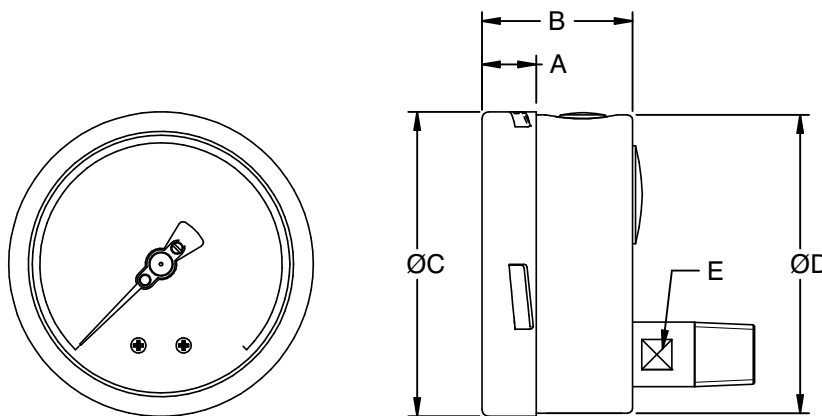
DIMENSIONAL DRAWING

Type R0



DN	A	B	ØC	ØD	E	Weight (grams)
63	12	32	64	61.7	SQ.14	190

Type L0



DN	A	B	ØC	ØD	E	Weight (grams)
100	16.5	50	101	99	A/F-18	491
150	17	51	162	159	A/F-18	890