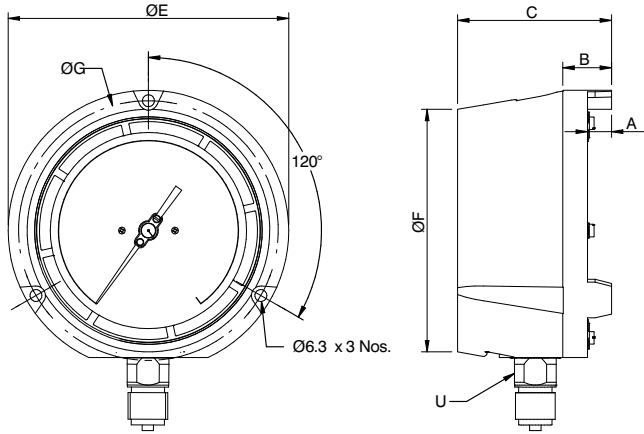
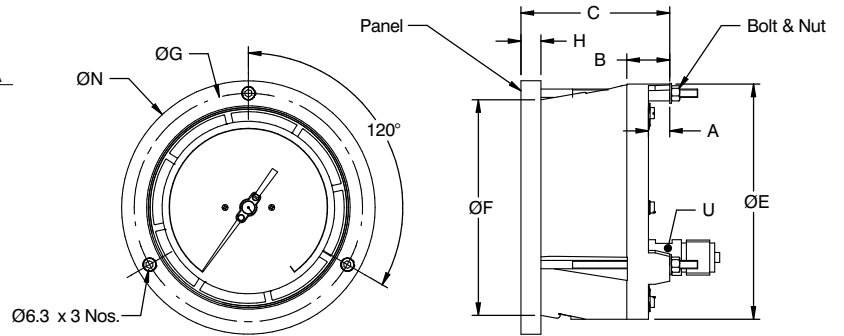


DIMENSIONAL DRAWING

Type B0, B1



Type L1



DN	A	B	C	ØE	ØF	G	U	Weight (grams)
115	12.5	26	82	149	129	137	A/F-22	828

DN	A	B	C	ØE	ØF	G	H	ØN	U	Weight (grams)
115	12.5	26	82	149	129	137	12	152	A/F-17	933