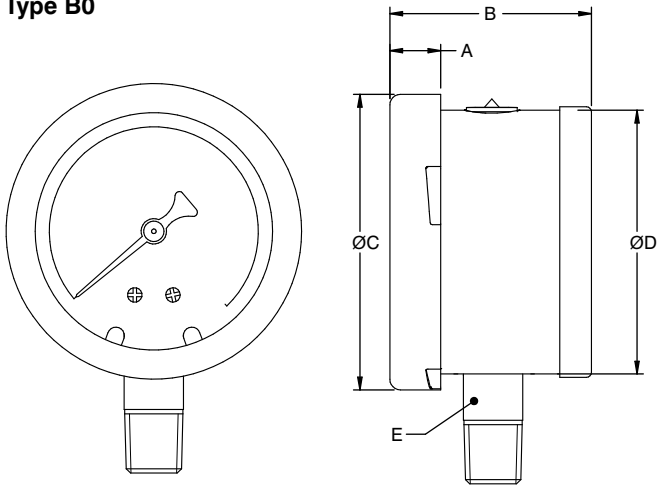


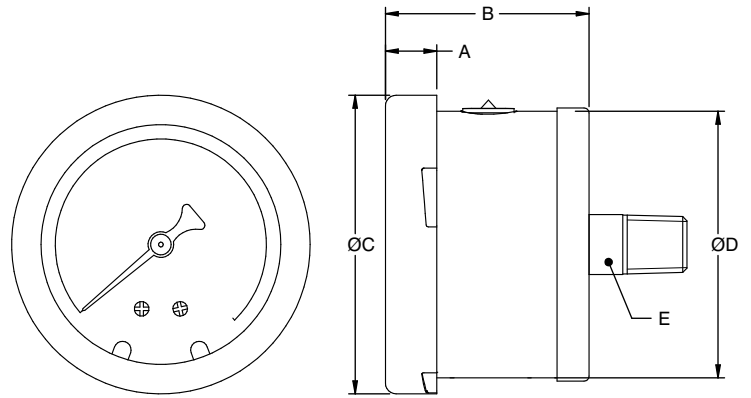
DIMENSIONAL DRAWING

Type B0



DN	A	B	ØC	ØD	E	Weight (grams)
63	12	46	69.7	62.2	SQ.14	320

Type R0



DN	A	B	ØC	ØD	E	Weight (grams)
63	12	46	69.7	62.2	SQ.14	320