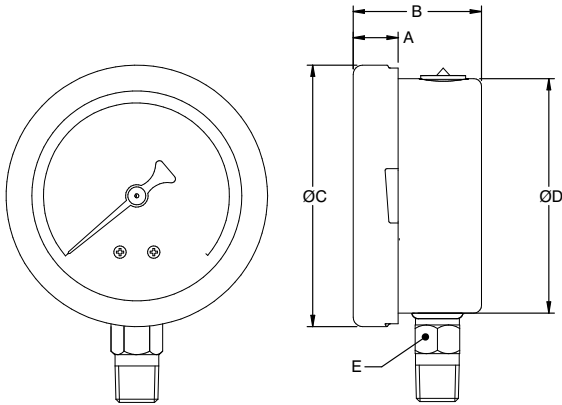


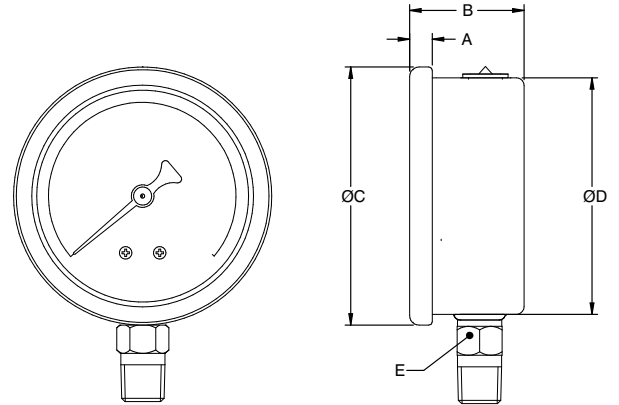
DIMENSIONAL DRAWING

Type B0, (Bayonet ring)



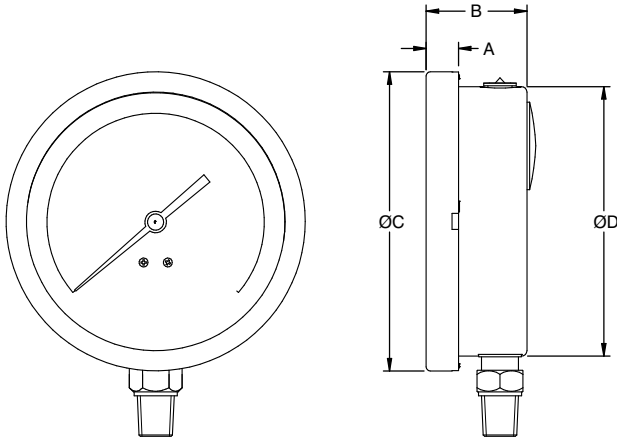
DN	A	B	ØC	ØD	E	Weight (grams)
50	9	34	58.5	51	A/F14	130
63	12	33	69.7	62.5	A/F14	250

Type B0, (Rolling ring)



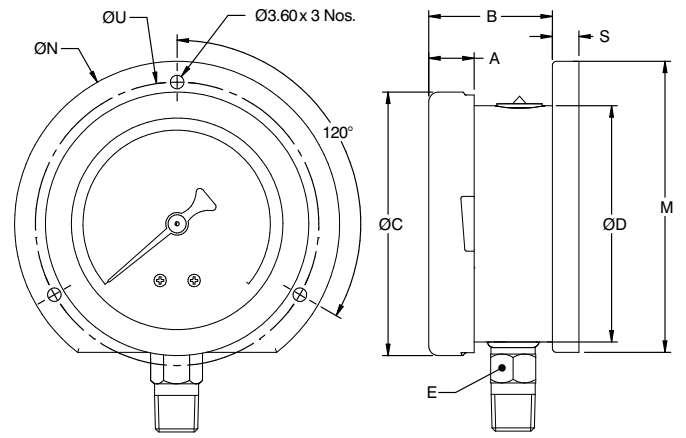
DN	A	B	ØC	ØD	E	Weight (grams)
50	5	32.5	57.5	51.5	A/F14	120
63	5	31.5	68	62.5	A/F14	240

Type B0, (Bayonet ring)



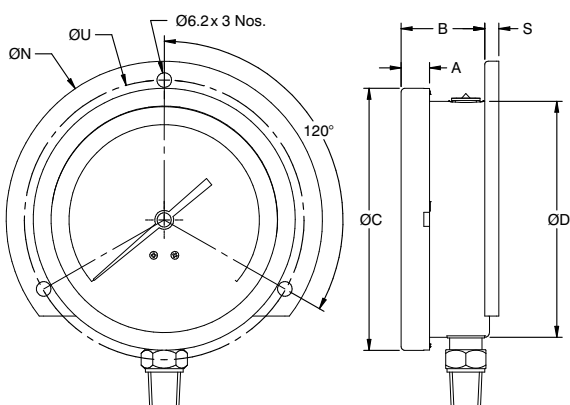
DN	A	B	ØC	ØD	E	Weight (grams)
80	9.5	33.5	89.5	80	A/F 14	328
100	12	38	111	100	A/F 14	398

Type B1, (Bayonet ring)



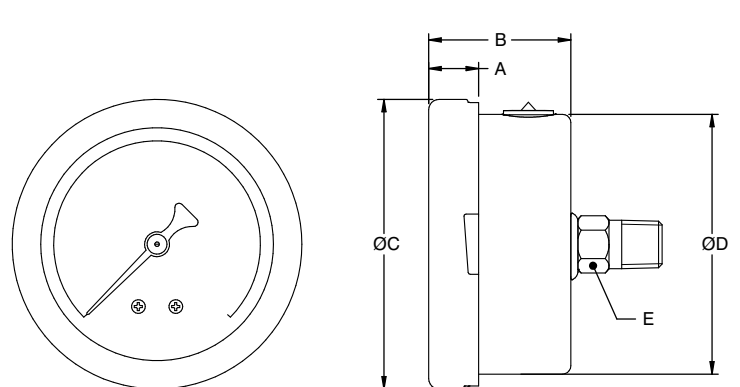
DN	A	B	ØC	ØD	E	ØN	ØU	M	S	Weight (grams)
63	12	33	69.7	62.5	A/F14	86	75	77	7	294

Type B1, (Bayonet ring)



DN	A	B	ØC	ØD	E	ØN	ØU	Weight (grams)
100	12	38	111	100	A/F 14	134	118	472

Type R0, (Bayonet ring)

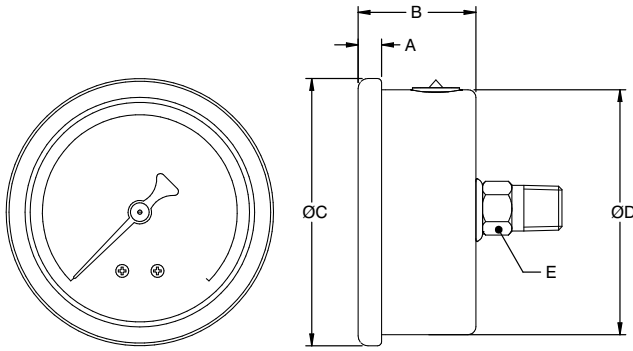


DN	A	B	ØC	ØD	E	Weight (grams)
50	9	34	58.5	51	A/F14	130
63	12	33	69.7	62.5	A/F14	250

All dimensions are in mm.

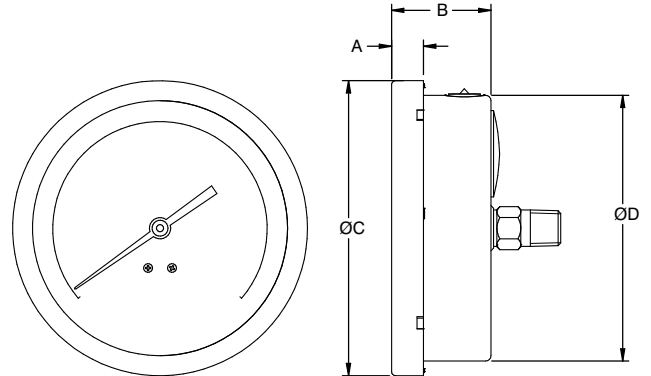
## DIMENSIONAL DRAWING

### Type R0, (Rolling ring)



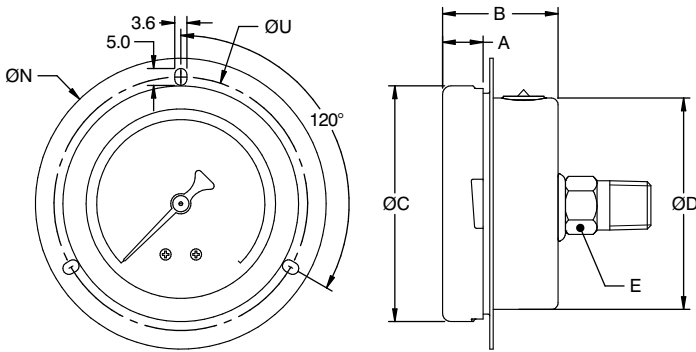
DN	A	B	ØC	ØD	E	Weight (grams)
50	5	33.5	57.5	51.5	A/F14	120
63	5	31.5	68	62.5	A/F14	240

### Type R0, (Bayonet ring)



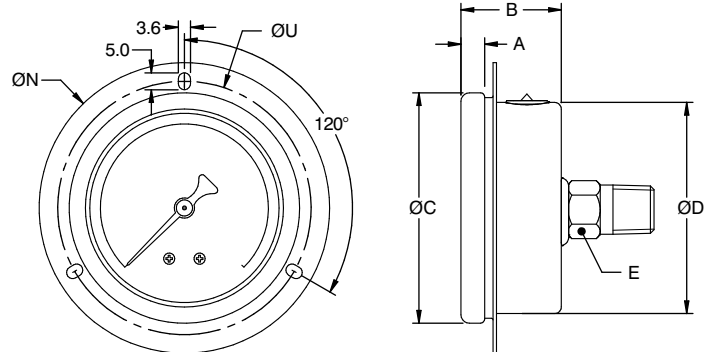
DN	A	B	ØC	ØD	E	Weight (grams)
80	9.5	33.5	89.5	80	A/F 14	328
100	12	38	111	100	A/F 14	398

### Type R2, (Bayonet ring)



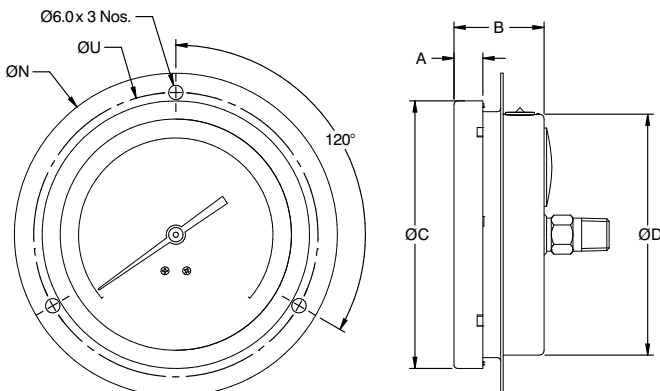
DN	A	B	ØC	ØD	E	ØN	ØU	Weight (grams)
63	12	33	69.7	62.5	A/F14	86	75	280

### Type R2, (Rolling ring)



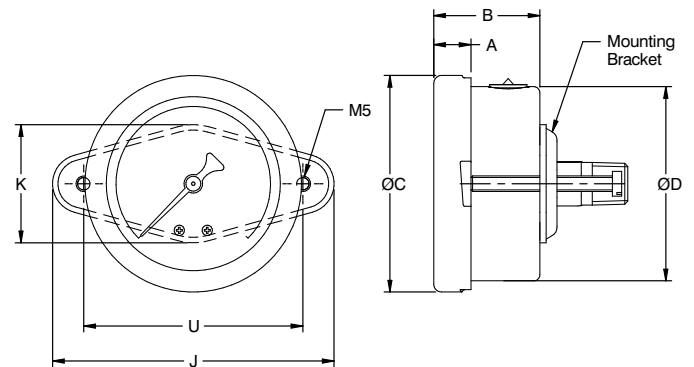
DN	A	B	ØC	ØD	E	ØN	ØU	Weight (grams)
63	5	31.5	68	62.5	A/F14	86	75	270

### Type R2, (Bayonet ring)



DN	A	B	ØC	ØD	E	ØN	ØU	M	Weight (grams)
100	12	38	111	100	A/F 14	134	118	128	505

### Type R3, (Bayonet ring)

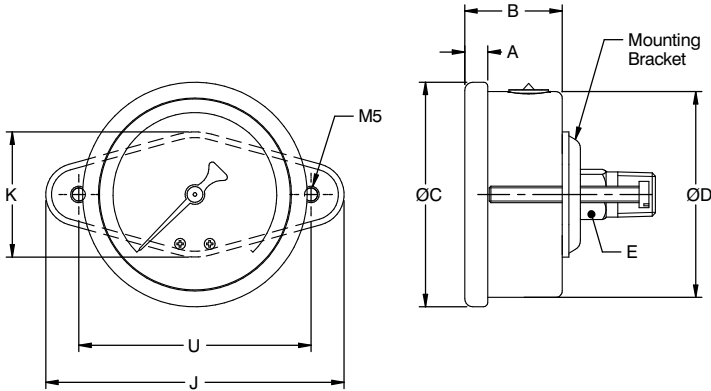


DN	A	B	ØC	ØD	E	ØU	J	K	Weight (grams)
50	9	34	58.5	51	A/F14	70.5	91	38	153
63	12	33	69.7	62.5	A/F14	70.5	91	38	275

All dimensions are in mm.

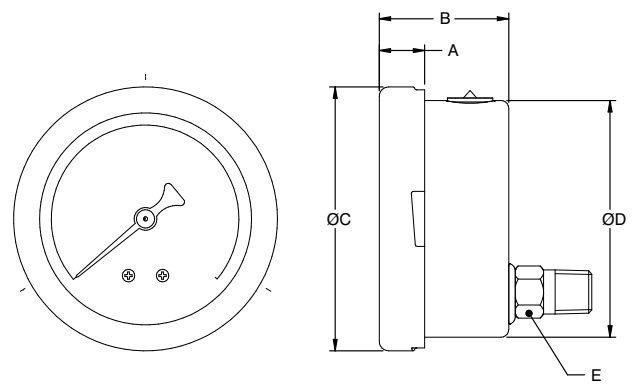
DIMENSIONAL DRAWING

Type R3, (Rolling ring)



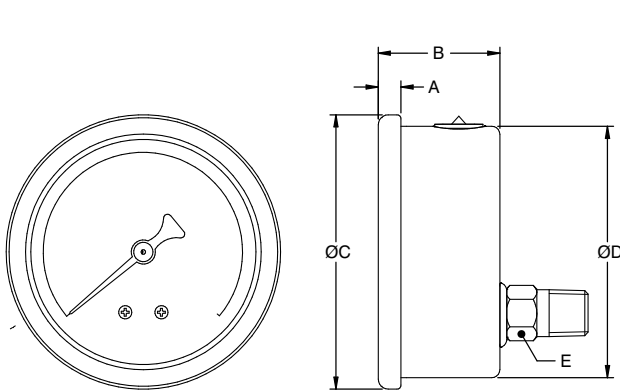
DN	A	B	ØC	ØD	E	U	J	K	Weight (grams)
50	5	33.5	57.5	51.5	A/F14	70.5	91	38	153
63	5	31.5	68	62.5	A/F15	70.5	91	38	274

Type L0, (Bayonet ring)



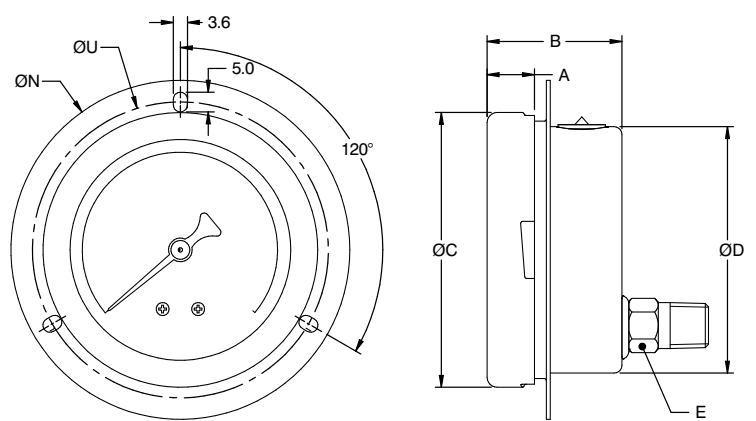
DN	A	B	ØC	ØD	E	Weight (grams)
63	12	33	69.7	62.5	A/F14	250

Type L0, (Rolling ring)



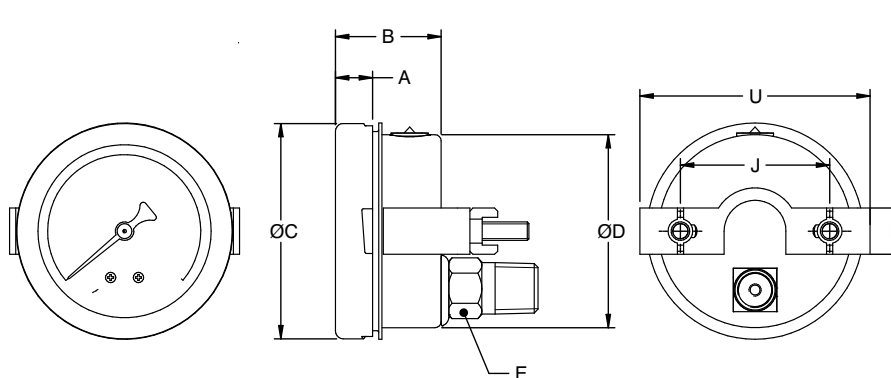
DN	A	B	ØC	ØD	E	Weight (grams)
63	5	31.5	69.7	62.5	A/F14	240

Type L1, (Bayonet ring)



DN	A	B	ØC	ØD	E	ØN	ØU	Weight (grams)
63	12	33	69.7	62.5	A/F14	86	75	280

Type L2, (Bayonet ring)



DN	A	B	ØC	ØD	E	U	J	K	Weight (grams)
63	12	33	69.7	62.5	A/F14	74.5	45.5	15	405

All dimensions are in mm.