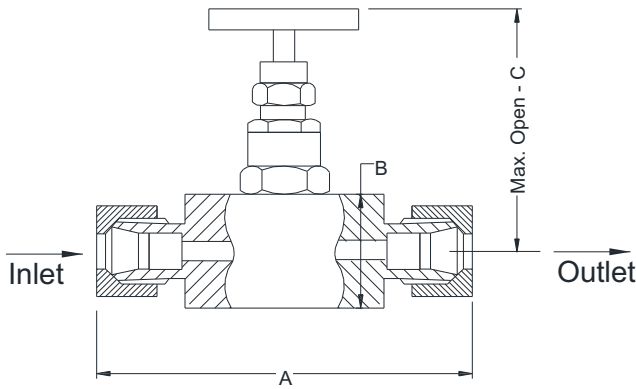
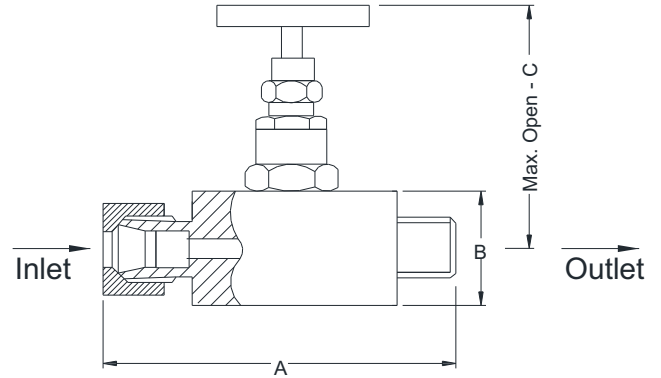


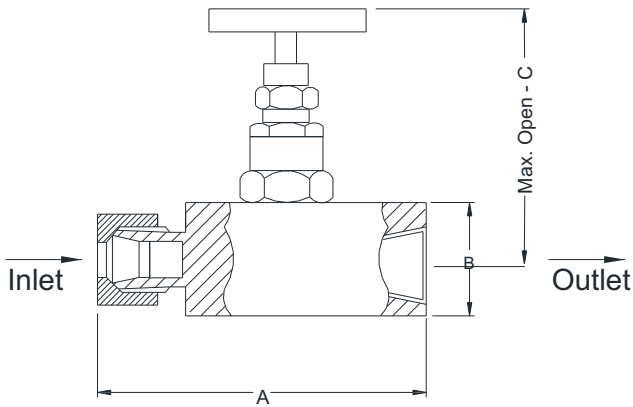
**TUBE X TUBE**



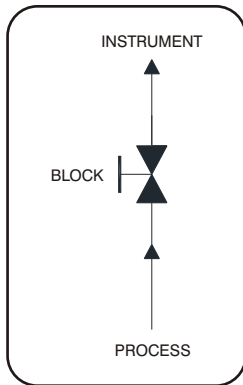
**TUBE X MALE**



**TUBE X FEMALE**



**FLOW DIAGRAM**



Connections	Length A	Width B	Max. open - C Stem Type		
			HS	SS	RP
6M x 6M	65	25	63	64.5	63.5
8M x 8M	65	25	63	64.5	63.5
10M x 10M	65	25	63	64.5	63.5
12M x 12M	65	32	83.6	94	93.5
1/4" OD x 1/4" NPT (F)	65	25	63	64.5	63.5
3/8" OD x 3/8" NPT (F)	65	25	63	64.5	63.5
1/2" OD x 1/2" NPT (F)	65	32	83.6	94	93.5
1/4" OD OR 6M x 1/4" NPT (M)	65	25	63	64.5	63.5
8M x 1/4" NPT (M)	65	25	63	64.5	63.5
3/8" OD or 10M x 3/8" NPT (M)	65	25	63	64.5	63.5
1/2" OD or 12M x 1/2" NPT (M)	72	32	83.6	94	93.5

**NOTE:**

This drawing is a property of ITEC. Unauthorized copying, tracing and use of the drawing by any means without getting permission in writing from ITEC is prohibited. The drawing shall be returned in the "as it is" condition if it is damaged.

**TOLERANCE : GENERAL**

**SCALE : NOT TO SCALE**

**ALL DIMENSIONS ARE IN "mm"**

End-User		Our Ref.	
Customer		Drawing No.	
Project		Revision	
Project No.		Date	
Drawn by	TJ	Checked by	GP
Approved by	UV		
Product code	V203		
Title	NEEDLE VALVE - COMPRESSION FITTING END		

