

FEATURES

- Economical and light weight
- All welded construction
- Laser welded diaphragm

APPLICATION

- Separation systems
- Isolation applications
- Viscous & corrosive media
- High-pressure applications
- High vibration application

Heavy Duty Mini Seal

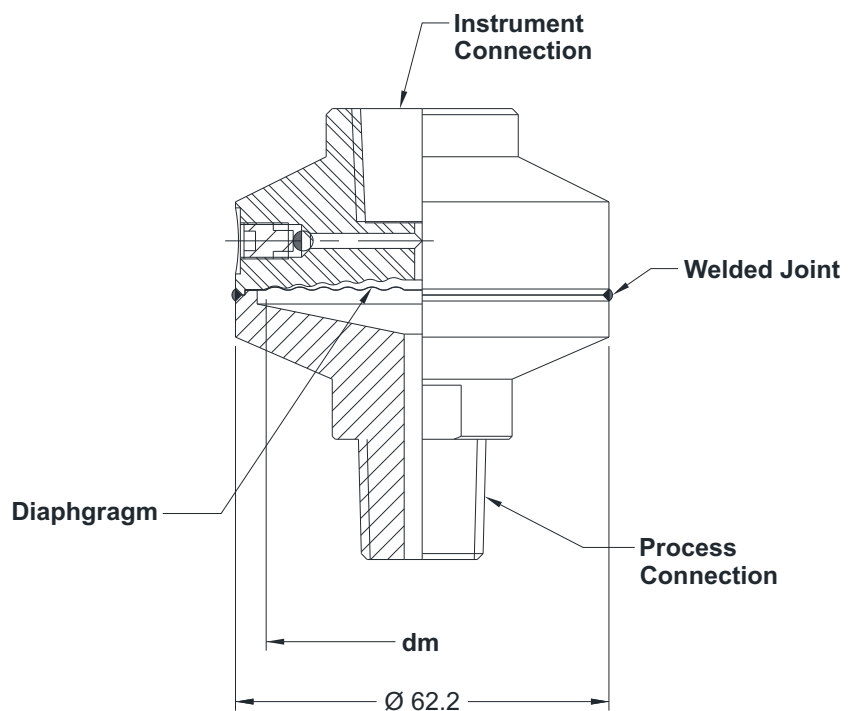


STANDARD SPECIFICATIONS

| | |
|-----------------------|---|
| Range type | : -1...0 bar & 0...2.5 bar / 4...70 bar / 100...250 bar / 280...600 bar |
| Chamber material | : AISI 316 SS |
| Diaphragm | : AISI 316L SS |
| Instrument connection | : 1/2" NPT (F) / 1/2" BSP (F) |
| Sealing fluid | : Silicon DC 200 (-40...205°C) |
| Process connection | : 1/2" NPT (M) / 1/2" BSP (M) |
| Assembly | : Direct |

DIMENSIONAL DRAWING

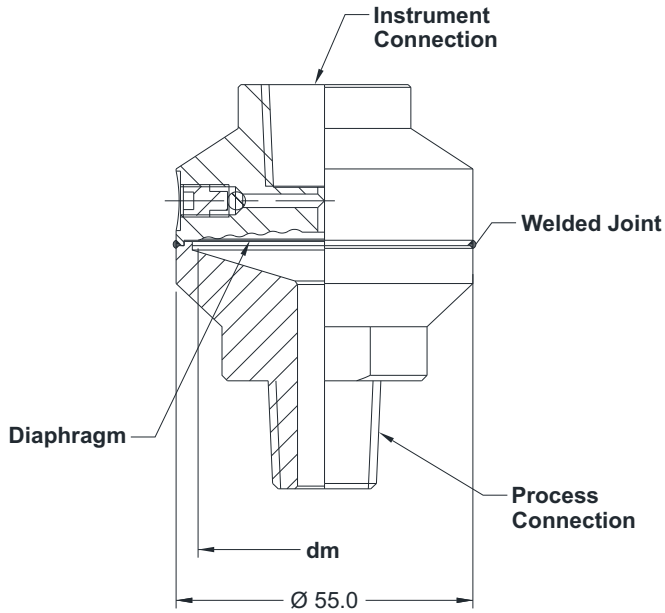
Type S11



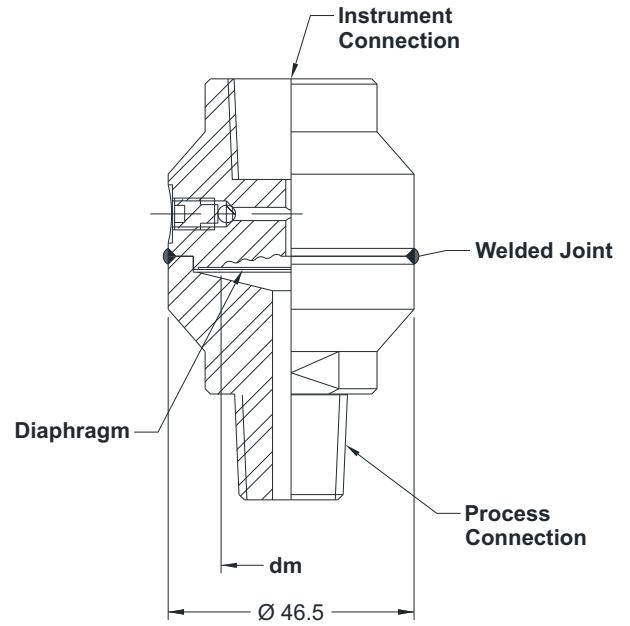
All dimensions are in mm.

DIMENSIONAL DRAWING

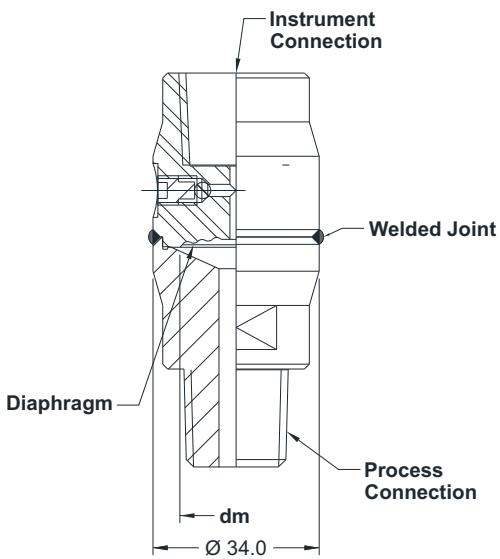
Type S12



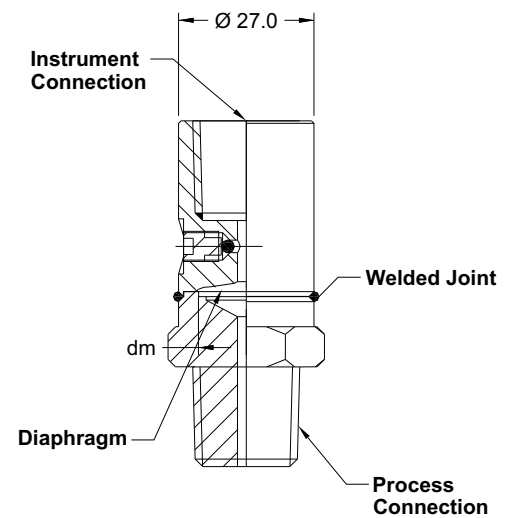
Type S13



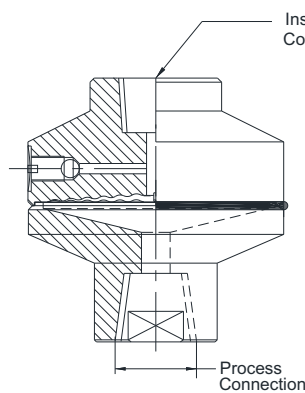
Type S14



Type S15



Example for female process connection



ORDERING CODES

1. RANGE TYPE

| | |
|------------|--------------------------|
| S11 | -1...0 bar & 0...2.5 bar |
| S12 | 4...70 bar |
| S13 | 100...250 bar |
| S14 | 280...600 bar |
| S15 | 700...1000 bar |

S11

2. CHAMBER MATERIAL

| | | | |
|-----------|-------------|-----------|-----------------|
| LF | AISI 316 SS | LG | AISI 316L SS |
| NM | Monel 400 | NO | Hastelloy C-276 |

LC

3. DIAPHRAGM MATERIAL

| | | | |
|-----------|--------------|-----------|-----------------|
| DG | AISI 316L SS | DO | Hastelloy C-276 |
| DV | Titanium | D8 | Silver coated |
| DM | Monel 400 | DQ | Inconel 600 |
| DW | Tantalum | | |

DG

4. INSTRUMENT CONNECTION

| | | | |
|------------|--------------|------------|--------------|
| 03B | 3/8" BSP (F) | 04N | 1/2" NPT (F) |
| 02B | 1/4" BSP (F) | 04B | 1/2" BSP (F) |
| 02N | 1/4" NPT (F) | | |

04N

5. SEALING FLUID

| | |
|-----------|---------------------------------|
| OA | Silicon DC 200 [-40°C to 205°C] |
| OF | Food grade oil [-20°C to 140°C] |
| OG | Glycerine [10°C to 150°C] |
| OI | Syltherm 800 [-40°C to 315°C] |
| OL | Silicon DC 710 [7°C to 371°C] |

0A

6. PROCESS CONNECTION

| | | | |
|------------|--------------|------------|---------------|
| 12B | 1/4" BSP (M) | 13B | 3/8" BSP (M) |
| 14B | 1/2" BSP (M) | 12N | 1/4" NPT (M) |
| 14N | 1/2" NPT (M) | 14M | M20 x 1.5 (M) |
| 02N | 1/4" NPT (F) | 04N | 1/2" NPT (F) |
| 02B | 1/4" BSP (F) | 04B | 1/2" BSP (F) |
| 03B | 3/8" BSP (F) | | |

14N

7. ASSEMBLY

| | |
|-----------|--------------------|
| B8 | Direct |
| B9 | Remote (capillary) |

B8

8. CAPILLARY

| | | | |
|-----------|-------------|-----------|-------------|
| OU | AISI 304 SS | OV | AISI 316 SS |
|-----------|-------------|-----------|-------------|

XX

9. ARMOUR

| | | | |
|-----------|-------------------------|-----------|-------------|
| OX | AISI 304 SS | OY | AISI 316 SS |
| OZ | PVC (Ambient max. 60°C) | | |

XX

10. REMOTE MOUNTING LENGTH

| | |
|-------------|-----------------------|
| XXXX | 1000 mm up to 4000 mm |
|-------------|-----------------------|

XXXX

11. OTHER OPTIONS

| | |
|-----------|---|
| XZ | Dry seal |
| HL | Helium leak test |
| TM | Material test certificate 2.2 |
| TC | Material test certificate 3.1 |
| E8 | Weld constructed bottom chamber (Eco version) |

XX

Ordering Example : D103-S11-LC-DG-04N-OA-14N-B8

NOTES:

- Other sealing liquids are available, contact factory for further details.
- Remote mounting applicable in range type S11, S12 & S13.
- All metal diaphragms are laser welded to the Top Chamber.