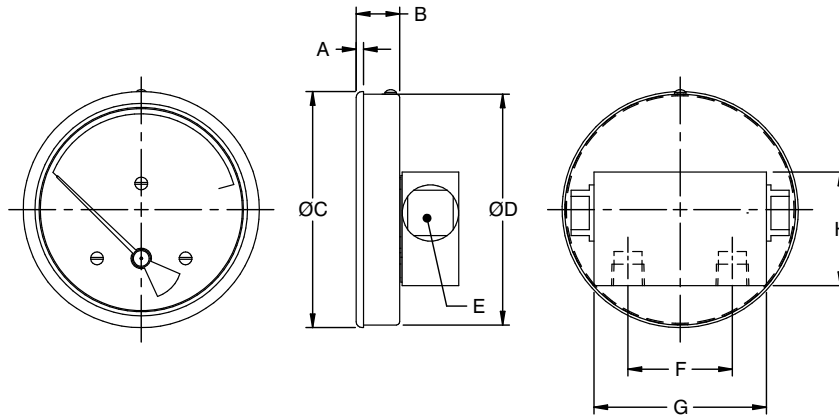


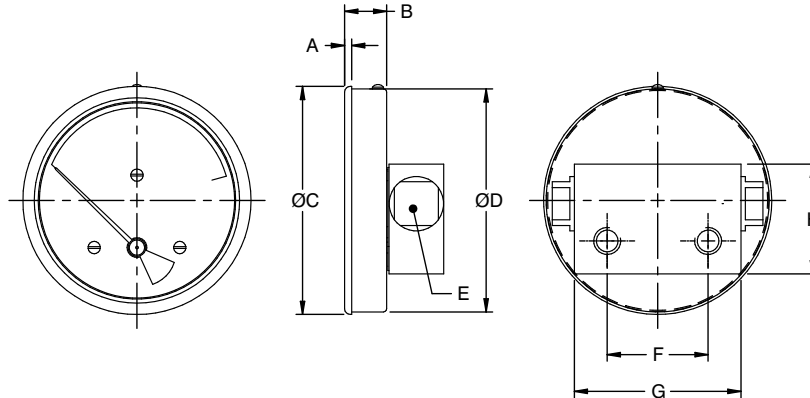
DIMENSIONAL DRAWING

Type B0



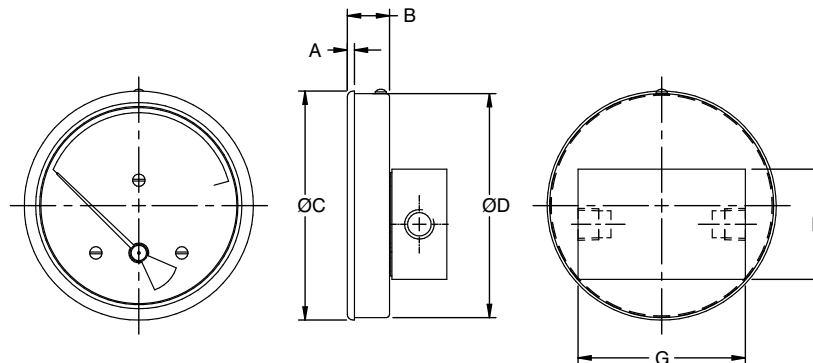
DN	A	B	C	D	E	F	G	H	Weight (grams)
63	3.2	19.5	66.5	62.5	20	46	76	50	430
100	3.2	19.5	104	101.5	20	46	76	50	460
150	3.2	19.5	155.5	151.5	20	46	76	50	560

Type R0



DN	A	B	C	D	E	F	G	H	Weight (grams)
63	3.2	19.5	66.5	62.5	20	46	76	50	400
100	3.2	19.5	104	101.5	20	46	76	50	450
150	3.2	19.5	155.5	151.5	20	46	76	50	540

Type X0



DN	A	B	C	D	G	H	Weight (grams)
63	3.2	19.5	66.5	62.5	76	50	410
100	3.2	19.5	104	101.5	76	50	460
150	3.2	19.5	155.5	151.5	76	50	550

All dimensions are in mm.