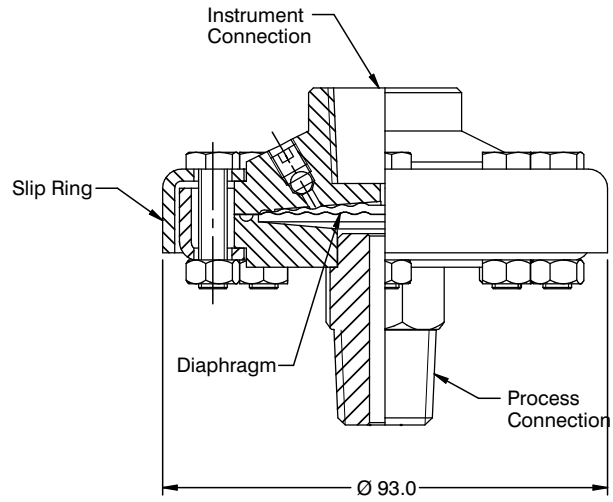
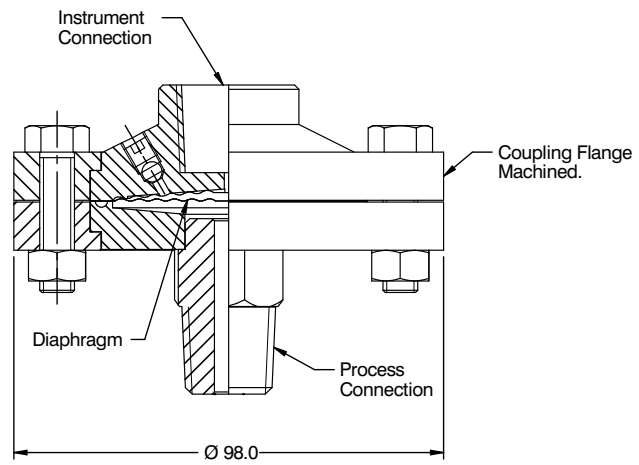


DIMENSIONAL DRAWING

Type S06



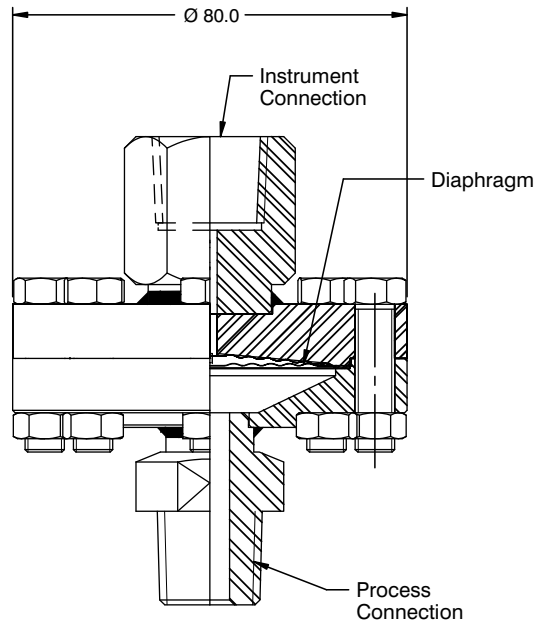
Type S07



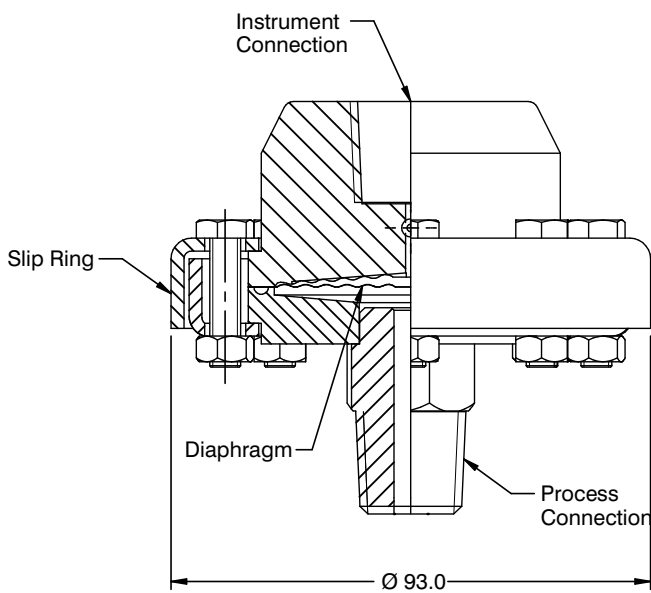
All dimensions are in mm.

DIMENSIONAL DRAWING

Type S08



Type S09



Type S10

