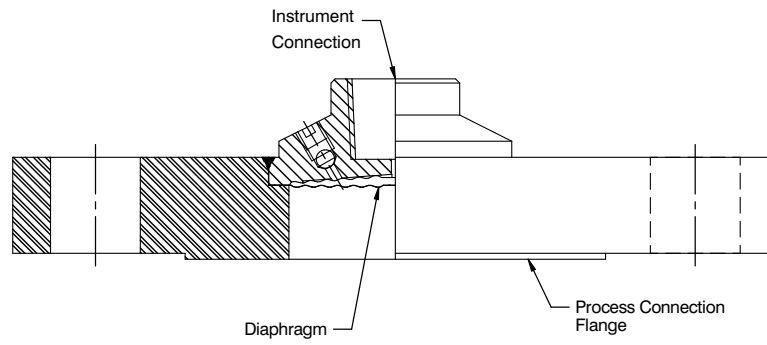


DIMENSIONAL DRAWING

Type S26



Type S27

